

Jinbo Marine

Marine & Offshore Equipment Datasheet

PRODUCT DATASHEET

CB MARINE AIR PIPE HEAD

Gooseneck Air Pipe Joint CB/T3594-94 Type B/BS

ISO9001 Supplier

Class Certificate

Export Supply

Air Pipe Head or can be called as marine air vent head, air pipe joint. It is used on the air pipe system of oil or water tank in the vessels and the offshore drilling platform. There are the types A/AS,B/BS,C/CS,D/DS,E/...



Key Highlights

| | |
|---------------|--|
| Category | CB Marine Air Pipe Head |
| Standard | DIN |
| Material | Cast Iron |
| Weight / Size | CB/T3594-94, CBM1105-81, CBM1106-81, GB1858-80 Flange Size as per GB569 ... |
| Certificate | CCS, BV, DNV/GL, RINA, NK, ABS |

We can supply according to your requirement, drawings, class certificate needs, and delivery schedule.

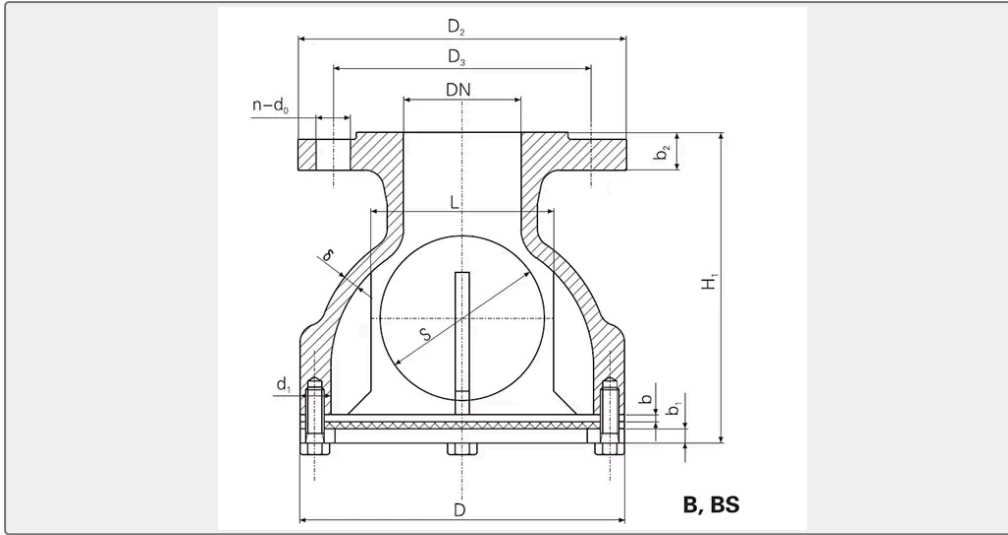
Technical Specifications

| | | | |
|---------------|---|-------------|--|
| Category | CB Marine Air Pipe Head | Model / SKU | Gooseneck-Air-Pipe-Joint-CB-T3594-94-Type-B-BS |
| Standard | DIN | Material | Cast Iron |
| Weight / Size | CB/T3594-94, CBM1105-81, CBM1106-81, GB1858-80 Flange Size as per GB569 or GB2501 Gooseneck Air Pipe Head Type B/BS also can be manufactured with thread connection. | Certificate | CCS, BV, DNV/GL, RINA, NK, ABS |
| Warranty | 12 Months unless specified otherwise | Origin | China |

CONTENTS

- China Gooseneck Air Pipe Joint CB/T3594-94 Type B/BS:
- Main Material:
- Main Size List for Type B/BS(mm):

China Gooseneck Air Pipe Joint CB/T3594-94 Type B/BS:



Air Pipe Head or can be called as marine air vent head, air pipe joint. It is used on the air pipe system of oil or water tank in the vessels and the offshore drilling platform. There are the types A/AS,B/BS,C/CS,D/DS,E/ES,FS.

Standard: CB/T3594-94, CBM1105-81, CBM1106-81, GB1858-80

Flange Size as per GB569 or GB2501

Gooseneck Air Pipe Head Type B/BS also can be manufactured with thread connection.

| Type | Name | Size | Application |
|------|---|---------|---|
| A/AS | Mushroom Air Pipe Head | 50--250 | on the top of air pipe of oil &water tank |
| B/BS | Gooseneck Air Pipe Head | | |
| C/CS | Sounding & Ventilation Air Pipe Head | 50--100 | |
| D/DS | Float Disc Type Air Pipe Head for Oil Tank | 50-450 | on the top of air pipe of oil tank |
| E/ES | Float Disc Type Air Pipe Head for Water Tank | | on the top of air pipe of water tank |
| FS | Float Ball Type Air Pipe Head for oil &water Tank | | on the top of air pipe of oil &water tank |

Main Material:

1-Body: Cast Iron

2-Float Ball: SUS304

3-Grid: Carbon Steel

Main Size List for Type B/BS(mm):

| DN | H1 | D | S | δ | D2 | D3 | b2 | n | d0 | b1 | b | L | n2 | Weight |
|----|----|---|---|---|----|----|----|---|----|----|---|---|----|--------|
|----|----|---|---|---|----|----|----|---|----|----|---|---|----|--------|

| | | | | | | | | | | | | | | |
|-----|-----|-----|-----|----|-----|-----|----|----|----|---|---|-----|---|-------|
| 50 | 120 | 140 | 70 | 7 | 135 | 103 | 15 | 6 | 15 | 6 | 3 | 78 | 4 | 5.2 |
| | | | | | 140 | 110 | 16 | 4 | 14 | | | | | 5.92 |
| 65 | 150 | 175 | 80 | 8 | 155 | 123 | 14 | 6 | 15 | 6 | 3 | 88 | 4 | 7.29 |
| | | | | | 160 | 130 | 16 | 4 | 14 | | | | | 7.47 |
| 80 | 170 | 195 | 100 | 8 | 170 | 138 | 14 | 8 | 15 | 6 | 3 | 108 | 4 | 8.2 |
| | | | | | 190 | 150 | 18 | 4 | 18 | | | | | 9.66 |
| 100 | 195 | 235 | 125 | 8 | 190 | 158 | 14 | 8 | 15 | 6 | 3 | 133 | 4 | 16.1 |
| | | | | | 210 | 170 | 18 | 4 | 18 | | | | | 16.69 |
| 150 | 230 | 280 | 175 | 11 | 240 | 208 | 14 | 12 | 15 | 6 | 5 | 183 | 4 | 18.4 |
| | | | | | 265 | 225 | 20 | 8 | 18 | | | | | 20.4 |
| 200 | 270 | 320 | 220 | 11 | 295 | 264 | 15 | 12 | 15 | 6 | 5 | 228 | 4 | 22.1 |
| | | | | | 320 | 280 | 22 | 8 | 18 | | | | | 23.18 |
| 250 | 310 | 370 | 270 | 12 | 365 | 327 | 16 | 14 | 17 | 6 | 5 | 278 | 4 | 28.7 |
| | | | | | 375 | 335 | 24 | 12 | 18 | | | | | 32.29 |