

Jinbo Marine

Marine & Offshore Equipment Datasheet

PRODUCT DATASHEET

STERN TUBE BEARING

JT/T259 intermediate bearing

Intermediate bearing is used for supporting tunnel in the navigation of ships, material is cast steel and casting iron sell, bearing shell is made of high quality carbon steel forging and plastic metal. Technical S...

ISO9001 Supplier

Class Certificate

Export Supply



Key Highlights

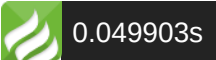
Category	Stern Tube Bearing
Standard	DIN
Material	Intermediate bearing is used for supporting tunnel in the navigation of ...
Weight / Size	This type of intermediate bearings is recommended for small and medium v...
Certificate	CCS, BV, ABS, GL, LR, DNV, NK,RINA, KR,IRS

We can supply according to your requirement, drawings, class certificate needs, and delivery schedule.



Technical Specifications			
Category	Stern Tube Bearing	Model / SKU	JT-T259-intermediate-bearing
Standard	DIN	Material	Intermediate bearing is used for supporting tunnel in the navigation of ships, material is cast steel and casting iron sell, bearing shell is made of high quality carbon steel forging and plastic metal.
Weight / Size	<p>This type of intermediate bearings is recommended for small and medium vessels in inland</p> <p>Dimensions (mm) Weight (kg)</p> <p>Bearing Model D D1 L L1 B B1 H h</p> <p>d H1 3253122 110 180 386 326 170 110 150 35 20 330 30</p> <p>3253123 115 200 406 346 180 120 160 35 20 345 35 3253125 125 210 430 360 190 120 165 40 26 360 43 3253127 135 225 446 376 200 130 175 40 26 380 53 3253128 140 240 476 396 210 130 180 45 26 400 66 3253130 150 250 486 406 220 140 190 45 32 415 80 3253132 160 280 516 436 220 140 205 50 32 445 95 3253134 170 290 540 450 240 150 210 50 38 460 112 3253136 180 310 560 470 240 150 220 50 38 485 130 3253140 200 340 590 500 250 160 240 55 38 530 150 3253144 220 360 640 530 270 160 260 60 44 570 175 3253148 240 400 680 570 290 180 280 60 44 610 200 3253152 260 420 720 600 300 180 300 65 50 650 230 3253156 280 460 760 640 310 190 320 65 50 690 260 3253160 300 480 800 670 320 190 340 70 58 730 290 3253164 320 520 840 710 330 200 360 70 58 770 340</p>	Certificate	CCS, BV, ABS, GL, LR, DNV, NK,RINA, KR,IRS
Warranty	12 Months unless specified otherwise	Origin	China

CONTENTS	<ul style="list-style-type: none"> ■ China JT/T259 intermediate bearing: ■ Technical Specification
-----------------	--



China JT/T259 intermediate bearing:

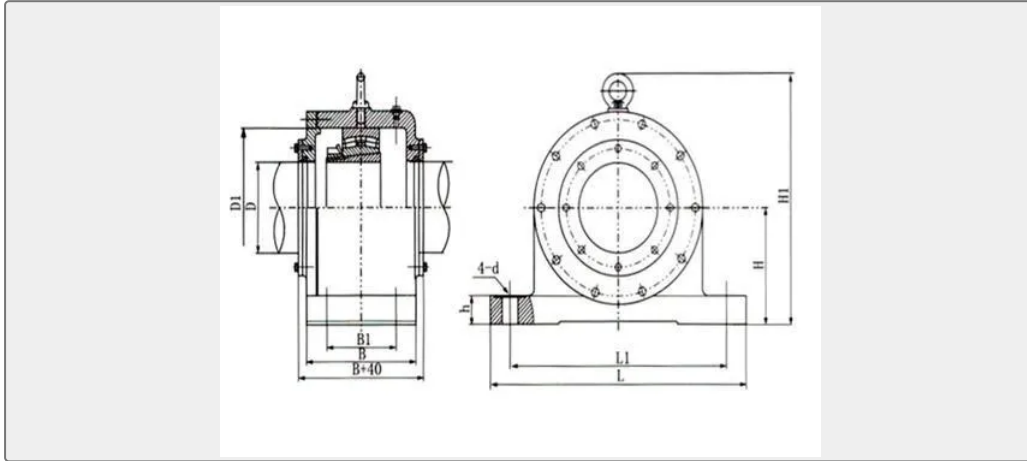
Intermediate bearing is used for supporting tunnel in the navigation of ships, material is cast steel and casting iron sell, bearing shell is made of high quality carbon steel forging and plastic metal.

Technical Specification

This type of intermediate bearings is recommended for small and medium vessels in inland water.

B type gliding intermediate bearing. Type C is rolling intermediate bearing.

This type of intermediate bearings is recommended for small and medium vessels in inland



Dimensions (mm)											Weight (kg)
Bearing Model	D	D1	L	L1	B	B1	H	h	d	H1	
3253122	110	180	386	326	170	110	150	35	20	330	30
3253123	115	200	406	346	180	120	160	35	20	345	35
3253125	125	210	430	360	190	120	165	40	26	360	43
3253127	135	225	446	376	200	130	175	40	26	380	53
3253128	140	240	476	396	210	130	180	45	26	400	66
3253130	150	250	486	406	220	140	190	45	32	415	80
3253132	160	280	516	436	220	140	205	50	32	445	95
3253134	170	290	540	450	240	150	210	50	38	460	112
3253136	180	310	560	470	240	150	220	50	38	485	130
3253140	200	340	590	500	250	160	240	55	38	530	150
3253144	220	360	640	530	270	160	260	60	44	570	175
3253148	240	400	680	570	290	180	280	60	44	610	200
3253152	260	420	720	600	300	180	300	65	50	650	230
3253156	280	460	760	640	310	190	320	65	50	690	260
3253160	300	480	800	670	320	190	340	70	58	730	290
3253164	320	520	840	710	330	200	360	70	58	770	



