

Jinbo Marine

Marine & Offshore Equipment Datasheet

PRODUCT DATASHEET

JIS MARINE FOOT VALVE

Marine Bronze Foot Valve JIS F3056

Design Standard: JIS F3056-1995 Test Standard: JIS F7400-1996 Hydraulic Pressure Test: Body-0.2Mpa Flange size as per JIS B2220 5K or 10K Coupling screws for top and bottom parts of body shall con...

ISO9001 Supplier

Class Certificate

Export Supply



Key Highlights

Category	JIS Marine Foot Valve
Standard	JIS
Material	Bronze
Weight / Size	Body-0.2Mpa Flange size as per JIS B2220 5K or 10K Coupling screws for t...
Certificate	CCS, BV, ABS, GL, LR, DNV, NK,RINA, KR,IRS

We can supply according to your requirement, drawings, class certificate needs, and delivery schedule.

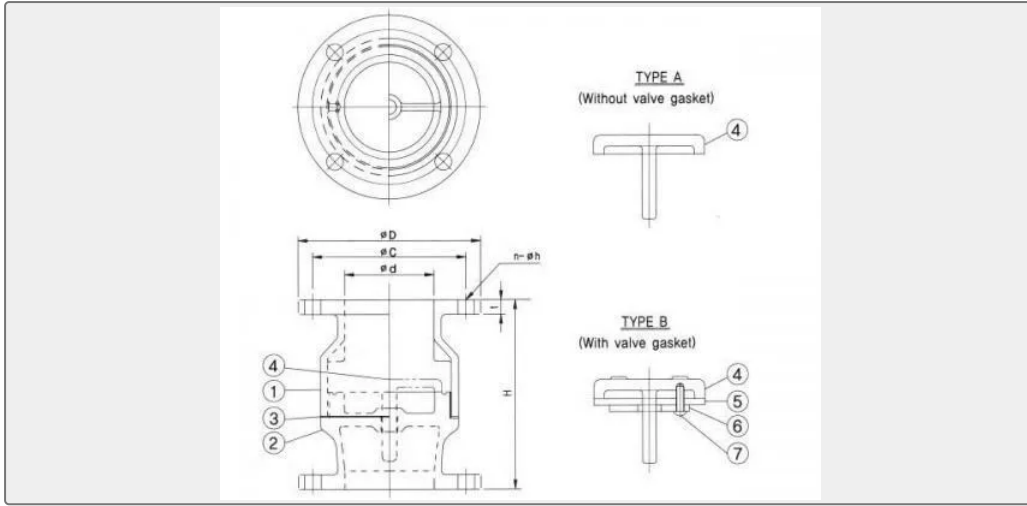
Technical Specifications

Category	JIS Marine Foot Valve	Model / SKU	Marine-Bronze-Foot-Valve-JIS-F3056
Standard	JIS	Material	Bronze
Weight / Size	Body-0.2Mpa Flange size as per JIS B2220 5K or 10K Coupling screws for top and bottom parts of body shall conform to JIS B0207.	Certificate	CCS, BV, ABS, GL, LR, DNV, NK,RINA, KR,IRS
Warranty	12 Months unless specified otherwise	Origin	China

CONTENTS

- China Marine Bronze Foot Valve JIS F3056:
- Main Material:
- Main Size List(mm):

China Marine Bronze Foot Valve JIS F3056:



Design Standard: JIS F3056-1995

Test Standard: JIS F7400-1996

Hydraulic Pressure Test: Body-0.2Mpa

Flange size as per JIS B2220 5K or 10K

Coupling screws for top and bottom parts of body shall conform to JIS B0207.

Pan head machine screw shall conform to JIS B1101.

Main Material:

1-Body(Upper part): Bronze (BC6)

2-Body(Lower part): Bronze (BC6)

3-Gasket: NBR

4-Valve: Bronze (BC6)

5-Valve Gasket: NBR

6-Gasket Keep: C2600P

7-Pan Head Machine Screw:C4641BD

Main Size List(mm):

Rating	Size	d	D	C	N-h	t	H
5K	40A	40	120	95	4-15	12	130
	50A	50	130	105	4-15	14	142
	80A	80	180	145	4-19	14	194
10K	40A	40	140	105	4-19	14	130
	50A	50	155	120	4-19	14	142
	80A	80	185	150	8-19	16	194