

# Jinbo Marine

Marine &amp; Offshore Equipment Datasheet

PRODUCT DATASHEET

## JIS MARINE HOSE VALVE

# Marine Bronze Globe Hose Valve JIS F7334 5K (DN15-DN25)

ISO9001 Supplier

Class Certificate

Export Supply

Design Standard: JIS F7334-1996 Test Standard: JIS 7400-1996 Hydraulic Test Pressure: Body- 1.05Mpa, Seat-0.77Mpa Flange size as per JIS B2220 -5K Main Material: Body: Bronze (BC6) ...



### Key Highlights

Category	JIS Marine Hose Valve
Standard	JIS
Material	Bronze
Weight / Size	Body- 1.05Mpa, Seat-0.77Mpa Flange size as per JIS B2220 -5K Main Materi...
Certificate	CCS,BV,GL,NK,RINA,ABS,DN V,LR

We can supply according to your requirement, drawings, class certificate needs, and delivery schedule.

### Technical Specifications

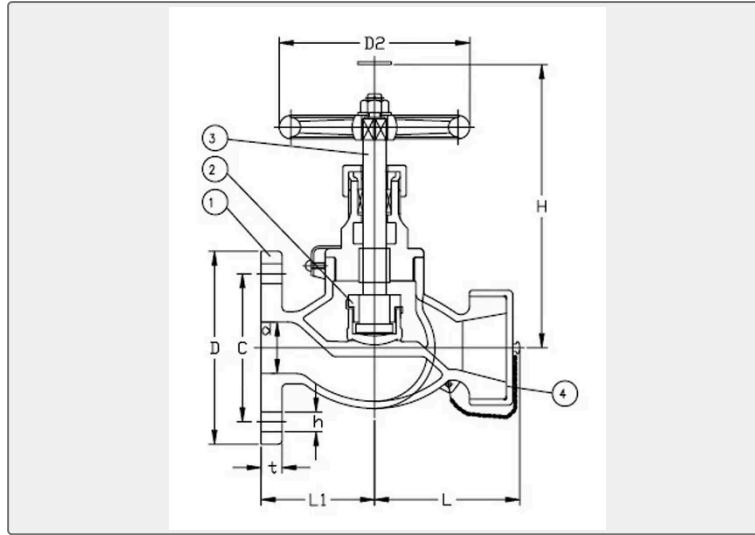
Category	JIS Marine Hose Valve	Model / SKU	Marine-Bronze-Globe-Hose-Valve-JIS-F7334-5K-DN15-DN25
Standard	JIS	Material	Bronze
Weight / Size	Body- 1.05Mpa, Seat-0.77Mpa Flange size as per JIS B2220 -5K Main Material:	Certificate	CCS,BV,GL,NK,RINA,ABS,DNV,L R
Warranty	12 Months unless specified otherwise	Origin	China

#### CONTENTS

- China Marine Bronze Globe Hose Valve JIS F7334 5K (DN15-DN25):
- Main Size List(mm):
- Main Material:



## China Marine Bronze Globe Hose Valve JIS F7334 5K (DN15-DN25):



Design Standard: JIS F7334-1996

Test Standard: JIS 7400-1996

Hydraulic Test Pressure: Body- 1.05Mpa, Seat-0.77Mpa

Flange size as per JIS B2220 -5K

### Main Material:

Body: Bronze (BC6)

Disc: Bronze (BC6)

Seat: Bronze (BC6)

Stem: Brass (C3771BD)

Coupling: Brass or Bronze

Bonnet: Bronze (BC6)

Handwheel: Cast Iron (FC200)

### Main Size List(mm):

IMPA CODE	Size	Pressure	L1	L	D	C	t	No of Bolt Hole	h	H	D2
751701	15	5K	73	50	80	60	9	4	12	130	80
751702	15	10K	73	55	95	70	12	4	15	130	80
751703	25	5K	78	60	95	75	10	4	12	160	125
751704	25	10K	83	65	125	90	14	4	15	160	125