

Jinbo Marine

Marine & Offshore Equipment Datasheet

PRODUCT DATASHEET

GB MARINE GLOBE VALVE

Marine Bronze Male Thread SDNR Valve GB596-83

ISO9001 Supplier

Class Certificate

Export Supply

It is also can be called as marine bronze male thread stop check valve or SDNR Globe Valve. There are two types, A is straight type, B is angle type. Design Standard: GB596-83
Test Standard: GB600 ...



Key Highlights

Category	GB Marine Globe Valve
Standard	GB
Material	Bronze
Weight / Size	Body-Bronze Bonnet-Bronze Disc-Bronze Stem-Bronze Main Size List(mm):
Certificate	CCS, BV, ABS, GL, LR, DNV, NK, RINA, KR, IRS

We can supply according to your requirement, drawings, class certificate needs, and delivery schedule.

Technical Specifications

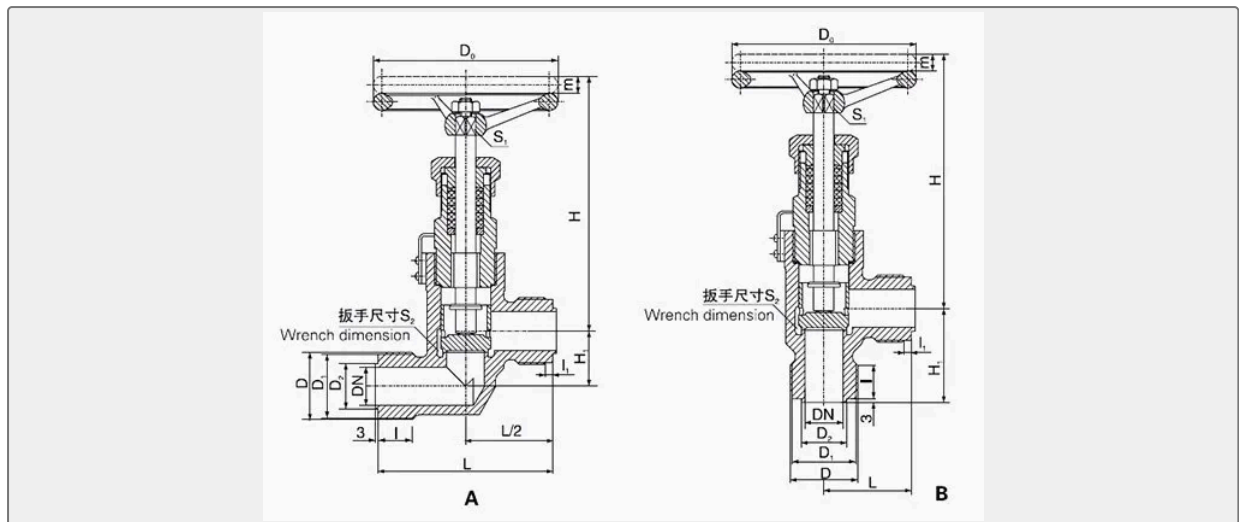
Category	GB Marine Globe Valve	Model / SKU	Marine-Bronze-Male-Thread-SDNR-Valve-GB596-83
Standard	GB	Material	Bronze
Weight / Size	Body-Bronze Bonnet-Bronze Disc-Bronze Stem-Bronze Main Size List(mm):	Certificate	CCS, BV, ABS, GL, LR, DNV, NK, RINA, KR, IRS
Warranty	12 Months unless specified otherwise	Origin	China

CONTENTS

- China Marine Bronze Male Thread SDNR Valve GB596-83:
- Main Material:
- Main Size List(mm):

 0.042420s

China Marine Bronze Male Thread SDNR Valve GB596-83:



It is also can be called as marine bronze male thread stop check valve or SDNR Globe Valve. There are two types, A is straight type, B is angle type.

Design Standard: GB596-83

Test Standard: GB600

Nominal Pressure(Mpa)	Nominal Diameter(mm)	Applicable Medium
4.0	10--32	sea water, fresh water, lubrication oil, fuel oil, air, steam not over 250°C

Main Material:

Body-Bronze

Bonnet-Bronze

Disc-Bronze

Stem-Bronze

Main Size List(mm):

DN (mm)	Structure Dimension					thread joint					wrench size		hand wheel		lift range m	Weight(kg)	
	L		H≈	H1		D	D1	D2	I	I1	S2		D0	S1		Type A	Type B
	Type A	Type B		Type A	Type B						Type A	Type B					
10	94	47	12 8	20	41	M27× 1.5	24. 8	1 4	1 6	3	27	32	80	8	7	0.98	0.95
15	110	55	14 3	25	52	M36× 2	33	2 2	2 2	5	32	41	80	8	10	1.51	1.45
20	116	58	15 4	32	55	M39× 2	36	2 5	2 3	5	36	46	10 0	9	12	1.80	1.75

25	130	65	16 7	38	64	M48× 2	45	3 2	2 6	6	46	50	12 0	11	14	2.51	2.34
32	140	70	19 8	46	72	M56× 2	53	3 8	2 8	6	46	60	14 0	12	16	4.22	3.97