

Jinbo Marine

Marine & Offshore Equipment Datasheet

PRODUCT DATASHEET

JIS MARINE HOSE VALVE

Marine Cast Iron Angle Hose Valve JS F7333 5K/10K

ISO9001 Supplier

Class Certificate

Export Supply

Design Standard: JIS F7333 Test Standard: JIS 7400-1996 Hydraulic Test Pressure: 5K: Body- 1.05Mpa, Seat-0.77Mpa, 10K: body-2.1Mpa, Seat-1.54Mpa Flange size as per JIS B2220 -5K or 10K Main...



Key Highlights

Category	JIS Marine Hose Valve
Standard	JIS
Material	Cast Iron
Weight / Size	body-2.1Mpa, Seat-1.54Mpa Flange size as per JIS B2220 -5K or 10K Main M...
Certificate	CCS, BV, ABS, GL, LR, DNV, NK,RINA, KR,IRS

We can supply according to your requirement, drawings, class certificate needs, and delivery schedule.

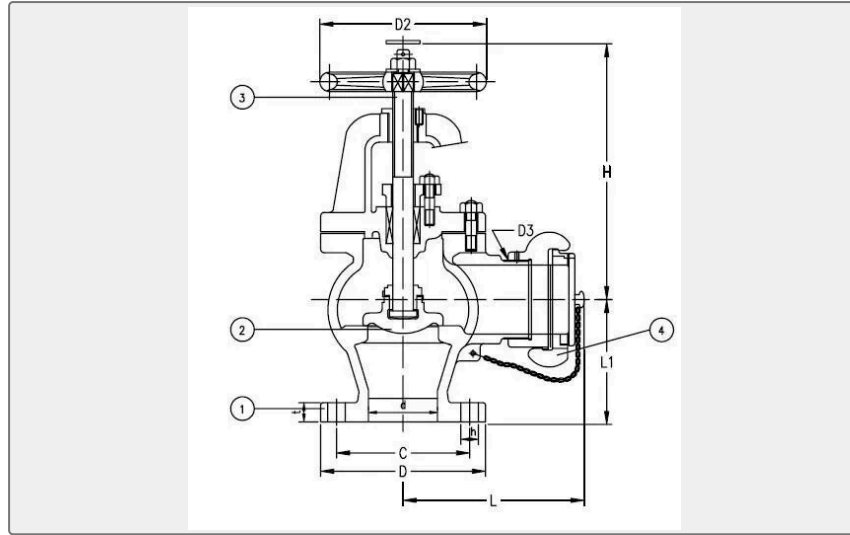
Technical Specifications

Category	JIS Marine Hose Valve	Model / SKU	Marine-Cast-Iron-Angle-Hose-Valve-JS-F7333-5K-10K
Standard	JIS	Material	Cast Iron
Weight / Size	body-2.1Mpa, Seat-1.54Mpa Flange size as per JIS B2220 -5K or 10K Main Material:	Certificate	CCS, BV, ABS, GL, LR, DNV, NK,RINA, KR,IRS
Warranty	12 Months unless specified otherwise	Origin	China

CONTENTS

- China Marine Cast Iron Angle Hose Valve JS F7333 5K/10K:
- Main Size List(mm):
- Main Material:

China Marine Cast Iron Angle Hose Valve JS F7333 5K/10K:



Design Standard: JIS F7333

Test Standard: JIS 7400-1996

Hydraulic Test Pressure: 5K: Body- 1.05Mpa, Seat-0.77Mpa, 10K: body-2.1Mpa, Seat-1.54Mpa

Flange size as per JIS B2220 -5K or 10K

Main Material:

Body & Bonnet: Cast Iron (FC200)

Seat & Disc: Bronze (BC6) or Stainless Steel (SCS2)

Stem: Brass (C3771BD) or Stainless Steel (SUS403)

Packing Gland: Bronze (BC6) or Stainless Steel (SCS2)

Coupling: Bronze or Brass

Handwheel: Cast Iron (FC200)

Main Size List(mm):

IMPA CODE	DN	k	d	L	D	C	n-d	t	H	D2	D3	L1	L2	Weight(kg)
751734	50	5	50	155	130	105	4-15	16	255	160	M64X2	100	110	12.8
751736		10	50	170	155	120	4-19	20	255	160	M64X2	120	115	17
751737	65	10	65	185	175	140	4-19	22	270	200	M80X2	130	125	24.3