

Jinbo Marine

Marine & Offshore Equipment Datasheet

PRODUCT DATASHEET

JIS MARINE ANGLE VALVE

Marine Cast Iron Angle Valve JIS F7306 5K

ISO9001 Supplier

Class Certificate

Export Supply

Marine Cast Iron Angle Valve is suitable for the pipe system with the medium fresh water, air & other gas, oil and steam with the temperature not over 205 centigrade degree. Design Standard: JIS F7306-1996 ...



Key Highlights

Category	JIS Marine Angle Valve
Standard	JIS
Material	Cast Iron
Weight / Size	Body- 1.05Mpa, Seat-0.77Mpa Flange size as per JIS B2220 - 5K Main Mater...
Certificate	CCS,BV, NK,DNV,GL, LR, ABS, RINA

We can supply according to your requirement, drawings, class certificate needs, and delivery schedule.

Technical Specifications

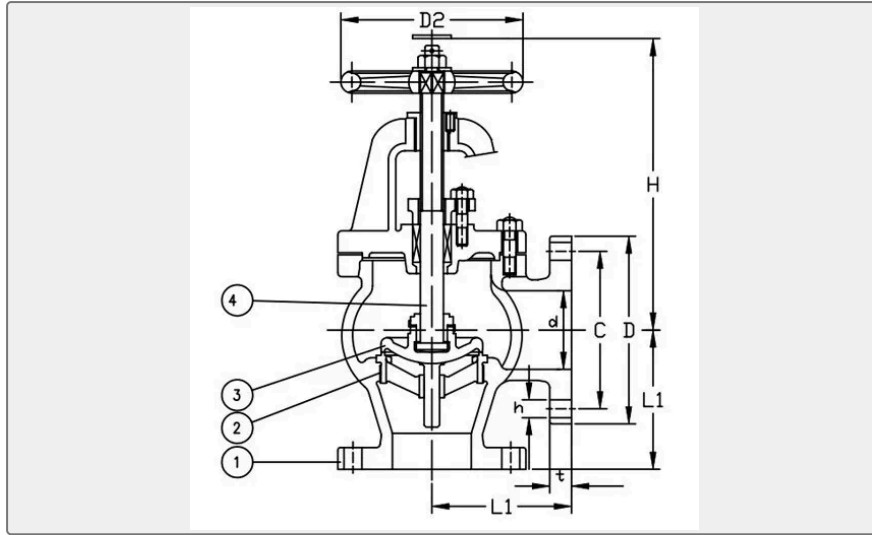
Category	JIS Marine Angle Valve	Model / SKU	Marine-Cast-Iron-Angle-Valve-JIS-F7306-5K
Standard	JIS	Material	Cast Iron
Weight / Size	Body- 1.05Mpa, Seat-0.77Mpa Flange size as per JIS B2220 - 5K Main Material:	Certificate	CCS,BV, NK,DNV,GL, LR, ABS, RINA
Warranty	12 Months unless specified otherwise	Origin	China

CONTENTS

- China Marine Cast Iron Angle Valve JIS F7306 5K:
- Main Material:
- Main Size List(mm):



China Marine Cast Iron Angle Valve JIS F7306 5K:



Marine Cast Iron Angle Valve is suitable for the pipe system with the medium fresh water, air & other gas, oil and steam with the temperature not over 205 centigrade degree.

Design Standard: JIS F7306-1996

Test Standard: JIS 7400-1996

Hydraulic Test Pressure: Body- 1.05Mpa, Seat-0.77Mpa

Flange size as per JIS B2220 - 5K

Main Material:

Body: Cast Iron (FC200)

Bonnet: Cast Iron (FC200)

Packing Gland: Bronze (BC6) or Stainless Steel (2Cr13)

Stem: C3771BD (Brass) or SUS403

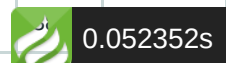
Seat: Bronze (BC6) or Stainless Steel (2Cr13, SCS2)

Disc: Bronze (BC6) or Stainless Steel (2Cr13, SCS2)

Gasket: non-asbestos

Main Size List(mm):

IMPA Code	Size	L1	Flange diam. (D)	Pitch (C)	No of Bolt Hole	h	t	D2	H	Weight
750216	50	100	130	105	4	15	16	160	240	12.9
750217	65	115	155	130	4	15	18	180	255	18.2
750218	80	130	180	145	4	19	18	180	265	23.4
750219	100	150	200	165	8	19	20	224	310	33.7
750220	125	170	235	200	8	19	20	250	330	46.2
750221	150	190	265	230	8	19	22	280		



750222	200	220	320	280	8	23	24	315	450	105
750223	250	275	385	345	12	23	26	355	540	176
750224	300	310	430	390	12	23	28	400	610	243
750225	350	360	480	435	12	25	30	500	690	335
750225	400	395	540	495	16	25	30	630	770	459