

Jinbo Marine

Marine & Offshore Equipment Datasheet

PRODUCT DATASHEET

JIS MARINE ANGLE VALVE

Marine Cast Iron Screw Down Check Angle Valve JIS F7354 5K

ISO9001 Supplier

Class Certificate

Export Supply

Marine Cast Iron Screw Down Check Angle Valve also can be called as Marine Cast Iron Angle SDNR Valve. It is suitable for the pipe system with the medium fresh water, air & other gas, oil and steam with the temper...



Key Highlights

Category	JIS Marine Angle Valve
Standard	JIS
Material	Cast Iron
Weight / Size	Body- 1.05Mpa, Seat-0.77Mpa Flange size as per JIS B2220 - 5K * The stan...
Certificate	CCS,DNV,GL, LR, ABS, BV, NK,KR,RINA

We can supply according to your requirement, drawings, class certificate needs, and delivery schedule.

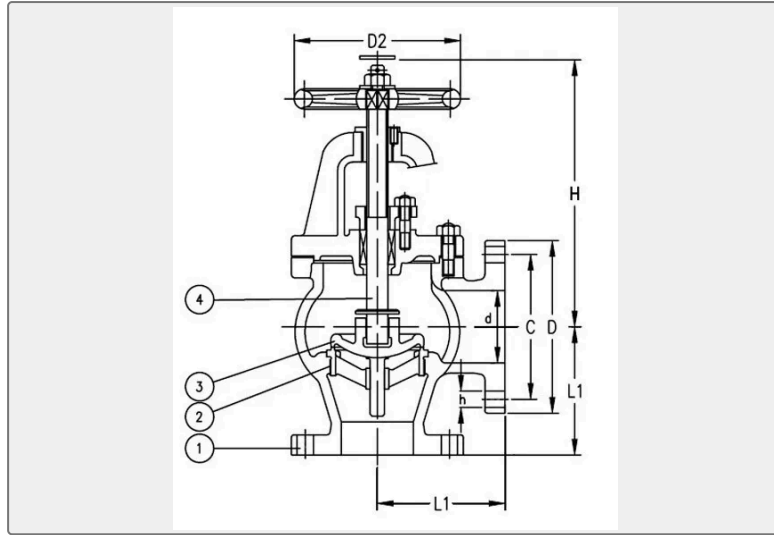
Technical Specifications

Category	JIS Marine Angle Valve	Model / SKU	Marine-Cast-Iron-Screw-Down-Check-Angle-Valve-JIS-F7354-5K
Standard	JIS	Material	Cast Iron
Weight / Size	Body- 1.05Mpa, Seat-0.77Mpa Flange size as per JIS B2220 - 5K * The standard one is without indicator, if the customer needs the indicator for the SDNR Valve, pls state when inquiry or order.	Certificate	CCS,DNV,GL, LR, ABS, BV, NK,KR,RINA
Warranty	12 Months unless specified otherwise	Origin	China

CONTENTS

- China Marine Cast Iron Screw Down Check Angle Valve JIS F7354 5K:
- Main Material:
- Main Size List(mm):

China Marine Cast Iron Screw Down Check Angle Valve JIS F7354 5K:



Marine Cast Iron Screw Down Check Angle Valve also can be called as Marine Cast Iron Angle SDNR Valve. It is suitable for the pipe system with the medium fresh water, air & other gas, oil and steam with the temperature not over 205 centigrade degree.

Design Standard: JIS F7354-1996

Test Standard: JIS 7400-1996

Hydraulic Test Pressure: Body- 1.05Mpa, Seat-0.77Mpa

Flange size as per JIS B2220 - 5K

* The standard one is without indicator, if the customer needs the indicator for the SDNR Valve, pls state when inquiry or order.

Main Material:

Body: Cast Iron (FC200)

Bonnet: Cast Iron (FC200)

Packing Gland: Bronze (BC6) or Stainless Steel(2Cr13)

Stem: C3771BD (Brass) or SUS403

Seat: Bronze (BC6) or Stainless Steel (2Cr13, SCS2)

Disc: Bronze (BC6) or Stainless Steel (2Cr13, SCS2)

Gasket: non-asbestos

Main Size List(mm):

IMPA Code	Size	L1	Flange diam. (D)	Pitch (C)	No of Bolt Hole	h	t	D2	H	Weight
751116	50	100	130	105	4	15	16	160	240	12.9
751117	65	115	155	130	4	15	18	180	255	18.2
751118	80	130	180	145	4	19	18	180	265	23.3

751119	100	150	200	165	8	19	20	224	310	33.5
751120	125	170	235	200	8	19	20	250	330	46.5
751121	150	190	265	230	8	19	22	280	380	64
751122	200	220	320	280	8	23	24	315	450	104
751123	250	275	385	345	12	23	26	355	540	175
751124	300	310	430	390	12	23	28	400	610	243
751125	350	360	480	435	12	25	30	500	690	336
751126	400	395	540	495	16	25	30	630	770	455