

# Jinbo Marine

Marine &amp; Offshore Equipment Datasheet

PRODUCT DATASHEET

## GB MARINE BUTTERFLY VALVE

# Marine Center Pivoted Double Flanged Butterfly Valve with Worm Gear

ISO9001 Supplier

Class Certificate

Export Supply

Marine Center Pivoted Double Flanged Worm Manual Butterfly Valve is operated by worm gear, and connected by flanges, used to adjust the flow rate, open and close the pipe system in the marine pipe system. Technical...



### Key Highlights

Category	GB Marine Butterfly Valve
Standard	JIS
Material	Cast Iron, Cast Steel, Bronze
Weight / Size	Stainless Steel Main Size:
Certificate	CCS, BV, ABS, DNV/GL, NK, IRS, RMRS, KR,LR

We can supply according to your requirement, drawings, class certificate needs, and delivery schedule.

### Technical Specifications

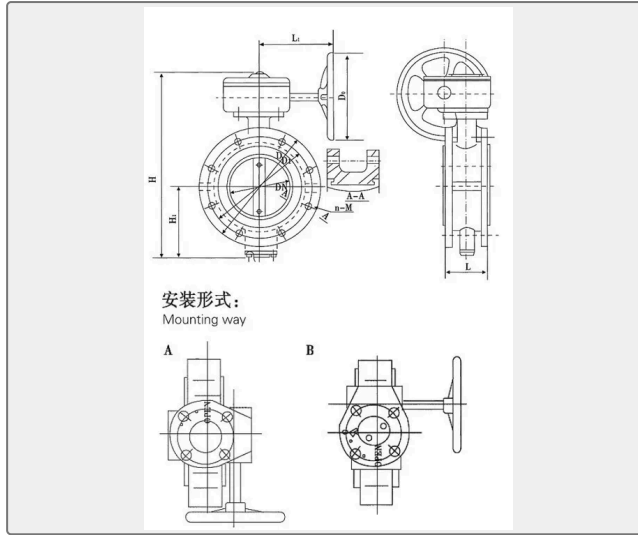
Category	GB Marine Butterfly Valve	Model / SKU	Marine-Center-Pivoted-Double-Flanged-Butterfly-Valve-with-Worm-Gear
Standard	JIS	Material	Cast Iron, Cast Steel, Bronze
Weight / Size	Stainless Steel Main Size:	Certificate	CCS, BV, ABS, DNV/GL, NK, IRS, RMRS, KR,LR
Warranty	12 Months unless specified otherwise	Origin	China

#### CONTENTS

- China Marine Center Pivoted Double Flanged Butterfly Valve with Worm Gear:
- Main Material:
- Technical Specification:
- Main Size:



# China Marine Center Pivoted Double Flanged Butterfly Valve with Worm Gear:



Marine Center Pivoted Double Flanged Worm Manual Butterfly Valve is operated by worm gear, and connected by flanges, used to adjust the flow rate, open and close the pipe system in the marine pipe system.

## Technical Specification:

Design Standard: GB/T3036-1994 Type C/CS

Test Standard: GB600

Applicable Medium: sea water, fresh water, air, crude/refined oil ( $t \leq 70^\circ\text{C}$ )

## Main Material:

1-Body: Cast Iron, Ductile Iron, Cast Steel, Bronze, Aluminum Alloy

2-Disc: WCB with galv, Stainless Steel, Bronze

3-Pin: Stainless Steel

4-Seat: NBR, EPDM, CR, FPM, VITON, PTFE

5-Stem: Stainless Steel

## Main Size:

Nominal Pressure Mpa	Norminal diameter	Structure & Flange Dimension (ISO)									
		H	H1	L1	D0	L	D	D1	D2	n	d



1.0	50	280	80	160	160	108	165	125	102	4	18
	65	295	90	160	160	112	185	145	122	4	18
	80	340	120	160	160	114	200	160	133	8	18
	100	360	130	160	160	127	220	180	158	8	18
	125	395	150	160	160	140	250	210	184	8	18
	150	430	165	180	220	140	285	240	212	8	22
	200	485	195	180	220	152	340	295	268	8	22
	250	570	225	210	300	165	395	350	320	12	22
	300	630	250	210	300	178	445	400	370	12	22
	350	730	280	275	380	190	505	460	430	16	22
	400	800	310	275	380	216	565	515	482	16	26

The flange size also can manufactured as JIS, GB, ANSI standard.