

Jinbo Marine

Marine & Offshore Equipment Datasheet

PRODUCT DATASHEET

GB MARINE GLOBE VALVE

Marine Low Pressure Bronze Male Threaded Stop Check Valve GB/T1953-2008

ISO9001 Supplier

Class Certificate

Export Supply

Design Standard:GB/T1953-2008 Test Standard: GB/T600 Thread Standard: CB*821 Test Pressure: Body---2.4Mpa, Seat---1.76~0.3Mpa Type A-Straight type Type B-Angle type ...



Key Highlights

Category	GB Marine Globe Valve
Standard	GB
Material	Bronze
Weight / Size	Body-Bronze Bonnet-Bronze Disc-Bronze Stem-Bronze Main Size List(mm):
Certificate	CCS, BV, ABS, GL, LR, DNV, NK,RINA, KR,IRS

We can supply according to your requirement, drawings, class certificate needs, and delivery schedule.

Technical Specifications

Category	GB Marine Globe Valve	Model / SKU	Marine-Low-Pressure-Bronze-Male-Threaded-Stop-Check-Valve-GB-T1953-2008
Standard	GB	Material	Bronze
Weight / Size	Body-Bronze Bonnet-Bronze Disc-Bronze Stem-Bronze Main Size List(mm):	Certificate	CCS, BV, ABS, GL, LR, DNV, NK,RINA, KR,IRS
Warranty	12 Months unless specified otherwise	Origin	China

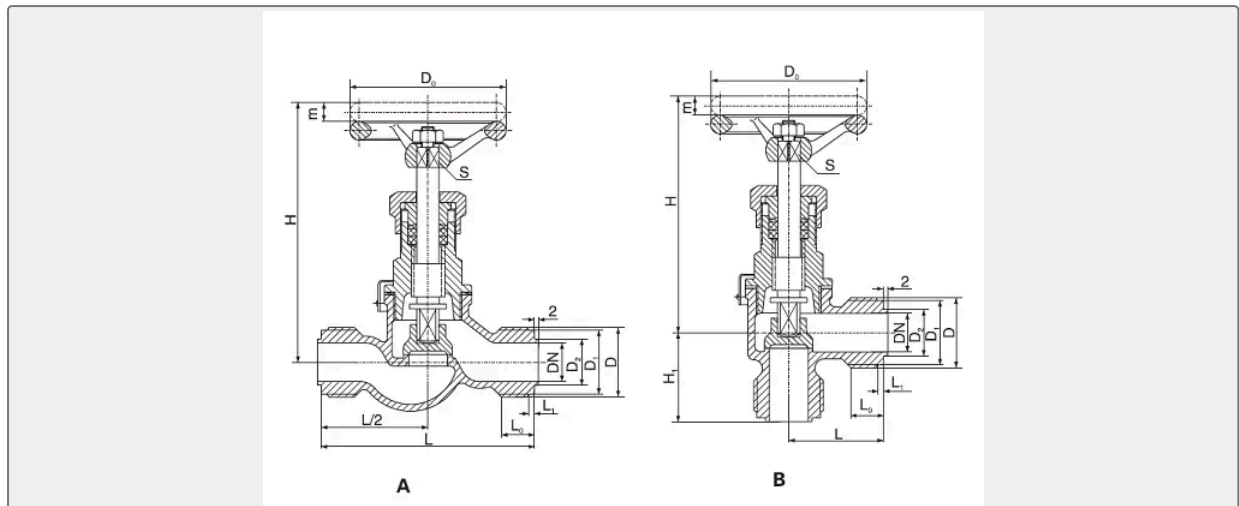
CONTENTS

- China Marine Low Pressure Bronze Male Threaded Stop Check Valve GB/T1953-2008:
- Main Parts & Material:
- Main Size List(mm):



0.054350s

China Marine Low Pressure Bronze Male Threaded Stop Check Valve GB/T1953-2008:



Design Standard:GB/T1953-2008

Test Standard: GB/T600

Thread Standard: CB*821

Test Pressure: Body---2.4Mpa, Seat---1.76~0.3Mpa

Type A-Straight type

Type B-Angle type

Nominal Pressure(Mpa)	Nominal Diameter(mm)	Applicable medium
1.6	15-32	sea water,fresh water, fuel oil,lubrication oil and steam not over 250°C

Main Parts & Material:

Body-Bronze

Bonnet-Bronze

Disc-Bronze

Stem-Bronze

Main Size List(mm):

DN (mm)	Structure Dimension					thread joint					hand wheel		lift range m≈	Weight(kg)	
	L		H≈		H1	D	D1	D2	L0	L1	D0	S1		A	B
	A	B	A	B	B										
15	95	46	100	91	40	M30×2	27	19	19	3	50	6	5	0.61	0.54
20	110	49	112	100	44	M36×2	33	24	19	3	65	7	6	0.97	0.95
25	125	53	128	113	48	M42×2	39	29	20	3	80	8	7	1.37	1.32
32	145	58	136	121	56	M48×2	45	36	20	3	80	8	9		

 0.054350s

