

Jinbo Marine

Marine & Offshore Equipment Datasheet

PRODUCT DATASHEET

MARINE FIRE DAMPER

Marine Rectangular Pneumatic Fire Damper

ISO9001 Supplier

Class Certificate

Export Supply

The fire damper is intended for ventilation duct with fire requirement. When on fire, the temperature inside the duct reaches 70°C, fire damper will automatically close quickly to avoid fire spreading. According to the sh...



Key Highlights

Category	Marine Fire Damper
Standard	DIN
Material	Steel, Stainless Steel
Weight / Size	Main Size List(mm) : a b A B A1 B1 t1 t2 n L 100 130 156 186 136 166 68 8...
Certificate	CCS,BV,ABS,DNV, GL, EC, LR

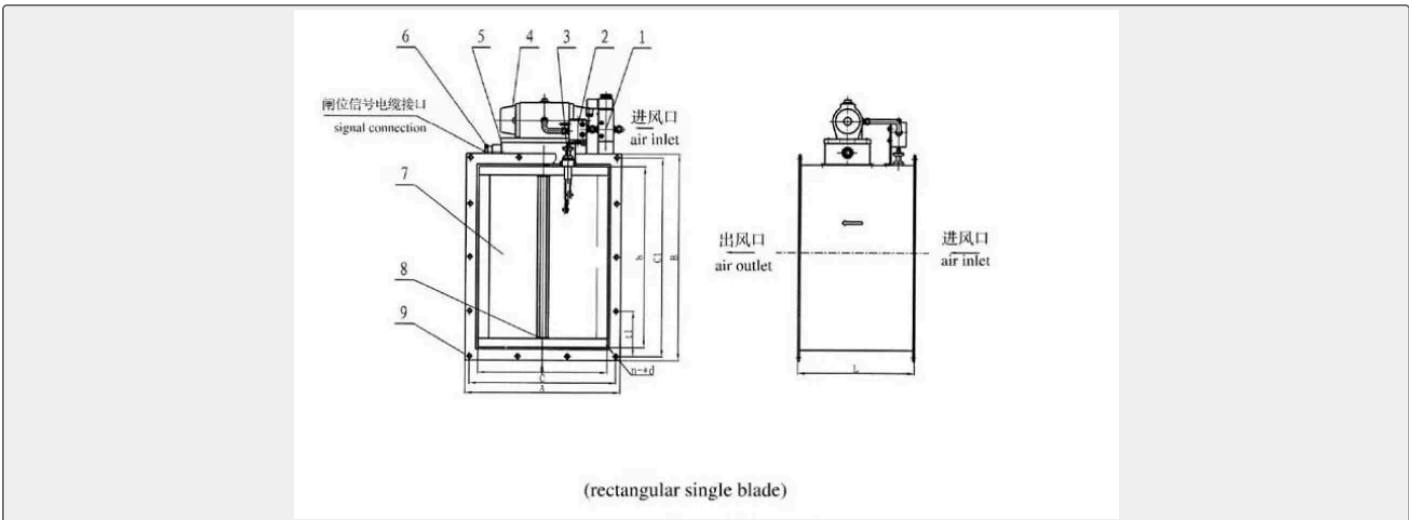
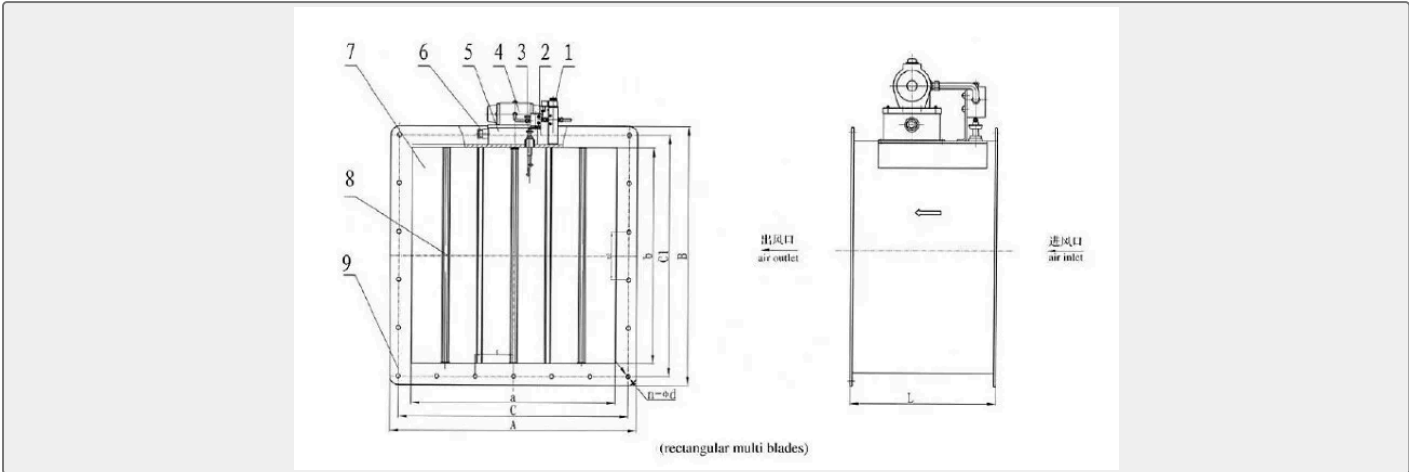
We can supply according to your requirement, drawings, class certificate needs, and delivery schedule.

Technical Specifications			
Category	Marine Fire Damper	Model / SKU	Marine-Rectangular-Pneumatic-Fire-Damper
Standard	DIN	Material	Steel, Stainless Steel
Weight / Size	Main Size List(mm) : a b A B A1 B1 t1 t2 n L 100 130 156 186 136 166 68 83 8 320 100 200 156 256 136 236 68 118 8 100 250 156 306 136 285 68 95 10 100 350 158 408 136 388 68 97 12 120 150 176 206 156 186 78 93 8 120 210 176 266 156 246 78 82 10 120 280 176 336 156 315 78 105 10 120 470 176 526 156 505 78 101 14 150 220 206 276 186 258 93 86 10 150 350 208 408 186 388 93 97 12 150 530 208 588 186 570 93 114 14 190 280 246 336 226 318 113 106 10 190 390 248 488 226 428 113 107 12 190 550 248 608 226 588 113 98 16 190 760 250 820 226 798 113 114 18 240 300 296 356 279 339 93 113 12 240 420 298 478 279 460 93 115 14 240 550 298 608 279 588 93 98 18 240 730 298 788 279 768 93 96 22 240 930 300 990 279 970 93 97 26 290 360 348 418 330 400 110 100 14 290 460 348 518 330 500 110 100 16 290 580 348 638 330 624 110 104 18 290 730 348 788 330 770 110 110 20 350 480 408 538 392 520 98 104 18 350 600 408 658 392 642 98 107 20 350 880 410 940 392 920 98 92 28 420 710 480 770 460 752 115 94 24 420 990 480 1050 460 1030 115 103 28 500 810 560 870 540 848 108 106 26 L can be decided by the customer.	Certificate	CCS,BV,ABS,DNV, GL, EC, LR
Warranty	12 Months unless specified otherwise	Origin	China

CONTENTS

- China Marine Rectangular Pneumatic Fire Damper: ■ Main Functions & Features:
- Main Size List(mm) :

China Marine Rectangular Pneumatic Fire Damper:



The fire damper is intended for ventilation duct with fire requirement. When on fire, the temperature inside the duct reaches 70°C, fire damper will automatically close quickly to avoid fire spreading. According to the shape, there are rectangular & round type. According to the control way, there are manual, electrical, pneumatic type. The blade can be single blade or multi-blades. The fireproof class can reach A60.

Design Standard: CB/T3557-1995

Fireproof class: A0,A15,A30,A60

Main Parts:pneumatic actuator, temperature detector, damper body, damper plate, main shaft, flange.

Main Functions & Features:

- 1) When the fire damper is connected to the compressed air or power on,the damper is turned on.When the damper loses the air or power,it is turned off. Pneumatic working pressure 0.5-0.8Mpa;
- 3)The solenoid valve can be controlled remotely or nearby to turn on or off the power supply, thereby opening or closing the damper;
- 4) Under an emergency situation, the damper can be closed remotely or nearby with the dragging line on TG.
- 2) When the temperature within the duct reaches 70 ± 3 °C, the temperature fuse is blown, the reversing valve acts to cut off the air supply, close the damper;

Main Size List(mm) :

a	b	A	B	A1	B1	t1	t2	n	L
---	---	---	---	----	----	----	----	---	---

100	130	156	186	136	166	68	83	8	320
100	200	156	256	136	236	68	118	8	
100	250	156	306	136	285	68	95	10	
100	350	158	408	136	388	68	97	12	
120	150	176	206	156	186	78	93	8	
120	210	176	266	156	246	78	82	10	
120	280	176	336	156	315	78	105	10	
120	470	176	526	156	505	78	101	14	
150	220	206	276	186	258	93	86	10	
150	350	208	408	186	388	93	97	12	
150	530	208	588	186	570	93	114	14	
190	280	246	336	226	318	113	106	10	
190	390	248	488	226	428	113	107	12	
190	550	248	608	226	588	113	98	16	
190	760	250	820	226	798	113	114	18	
240	300	296	356	279	339	93	113	12	
240	420	298	478	279	460	93	115	14	
240	550	298	608	279	588	93	98	18	
240	730	298	788	279	768	93	96	22	
240	930	300	990	279	970	93	97	26	
290	360	348	418	330	400	110	100	14	
290	460	348	518	330	500	110	100	16	
290	580	348	638	330	624	110	104	18	
290	730	348	788	330	770	110	110	20	
350	480	408	538	392	520	98	104	18	
350	600	408	658	392	642	98	107	20	
350	880	410	940	392	920	98	92	28	
420	710	480	770	460	752	115	94	24	
420	990	480	1050	460	1030	115	103	28	
500	810	560	870	540	848	108	106	26	

L can be decided by the customer.