

# Jinbo Marine

Marine &amp; Offshore Equipment Datasheet

PRODUCT DATASHEET

## MARINE DOOR

## Marine Weathertight Door Stainless Steel Dog Lock

ISO9001 Supplier

Class Certificate

Export Supply

The dog lock is used on the marine weathertight door CB/T3477 or hatch cover. Main Parts & Material: 1.Wedge Outside Handle---SUS304 2.Wedge Inside Handle---SUS304 3.Bush---Brass ...



### Key Highlights

Category	Marine Door
Standard	CB
Material	SUS304
Certificate	ABS, LR, BV, DNVGL, NK, KR, IRS, RMRS, CCS

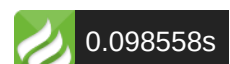
We can supply according to your requirement, drawings, class certificate needs, and delivery schedule.

### Technical Specifications

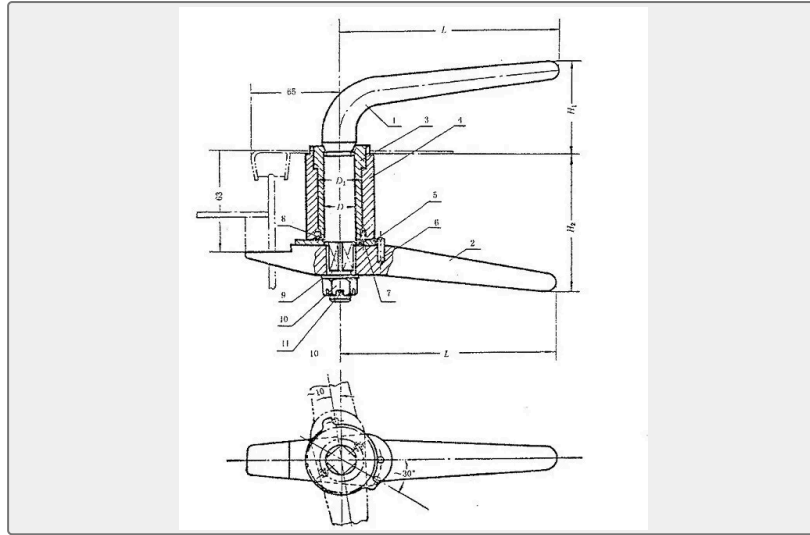
Category	Marine Door	Model / SKU	Marine-Weathertight-Door-Stainless-Steel-Dog-Lock
Standard	CB	Material	SUS304
Certificate	ABS, LR, BV, DNVGL, NK, KR, IRS, RMRS, CCS	Warranty	12 Months unless specified otherwise
Origin	China		

#### CONTENTS

- China Marine Weathertight Door Stainless Steel Dog Lock:
- Main Parts & Material:



## China Marine Weathertight Door Stainless Steel Dog Lock:



The dog lock is used on the marine weathertight door CB/T3477 or hatch cover.

### Main Parts & Material:

- 1.Wedge Outside Handle---SUS304
- 2.Wedge Inside Handle---SUS304
- 3.Bush---Brass
- 4.Socket---SUS304
- 5.Gasket---Brass and Nylon
- 6.Pin---SUS304
- 7/8. Screw---SUS304
- 9.Washer---SUS304
10. Nut---SUS304