

# Jinbo Marine

Marine &amp; Offshore Equipment Datasheet

PRODUCT DATASHEET

## MOORING EQUIPMENT ACCESSORIES

# QG Variable displacement pump

Feature 1、 This product is an axial piston pump in swash plate design for hydrostatic drives in open circuit operation; 2、 Its rated operating pressure is up to 31.5MPa, and the instantaneous high pre...

ISO9001 Supplier

Class Certificate

Export Supply



### Key Highlights

Category	Mooring Equipment Accessories
Standard	EN
Weight / Size	5、 New appearance,Excellent power/Weight ratio;
Certificate	ABS, LR, BV, DNVGL, NK, KR, IRS, RMRS, CCS

We can supply according to your requirement, drawings, class certificate needs, and delivery schedule.

### Technical Specifications

Category	Mooring Equipment Accessories	Model / SKU	QG-Variable-displacement-pump
Standard	EN	Weight / Size	5、 New appearance,Excellent power/Weight ratio;
Certificate	ABS, LR, BV, DNVGL, NK, KR, IRS, RMRS, CCS	Warranty	12 Months unless specified otherwise
Origin	China		

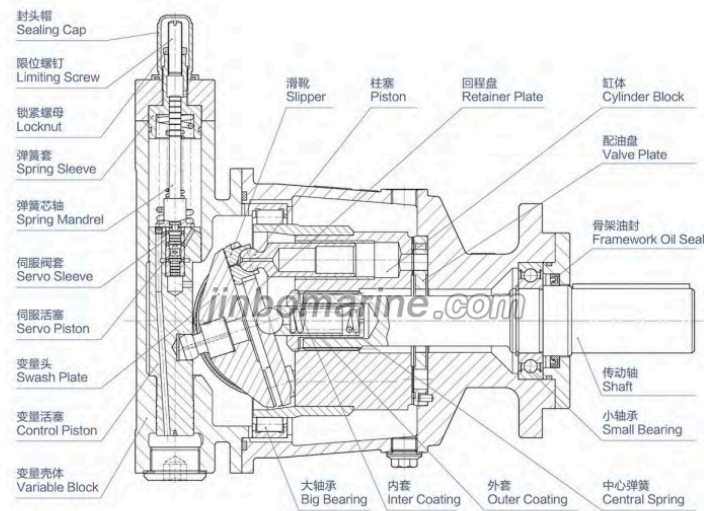
#### CONTENTS

- Feature
- The Parameter List(theoretical values)
- Displacement (ml/rev)
- Rated power(r/min)
- Ordering Code
- Model
- Rated power(MPa)
- 1500rpm Max.power (KW)

### Feature

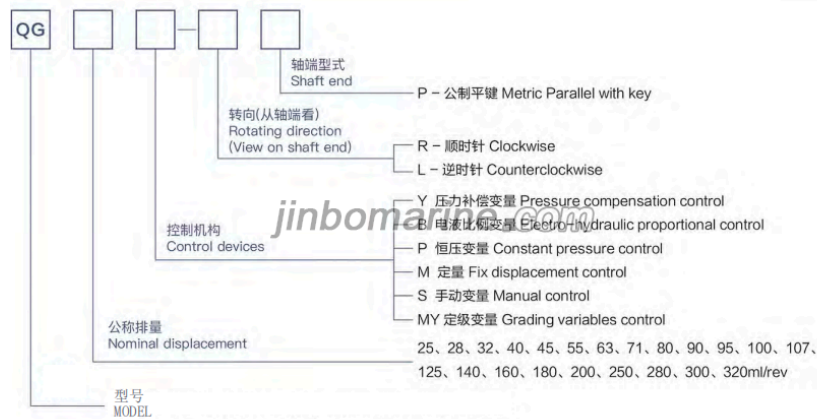
- 1、 This product is an axial piston pump in swash plate design for hydrostatic drives in open circuit operation;
- 2、 Its rated operating pressure is up to 31.5MPa, and the instantaneous high pressure can reach 40MPa;

- 3. Various displacements high power density;
- 4. Excellent suction performance;
- 5. New appearance,Excellent power/Weight ratio;
- 6. Low noise, Long lifespan;
- 7. The same mounting flange with CY pump and design for SAE oil flange.



示例：压力补偿变量轴向柱塞泵（Y）结构示意图  
Example: pressure compensation control (Y) Pump construction

## Ordering Code



## The Parameter List(theoretical values)

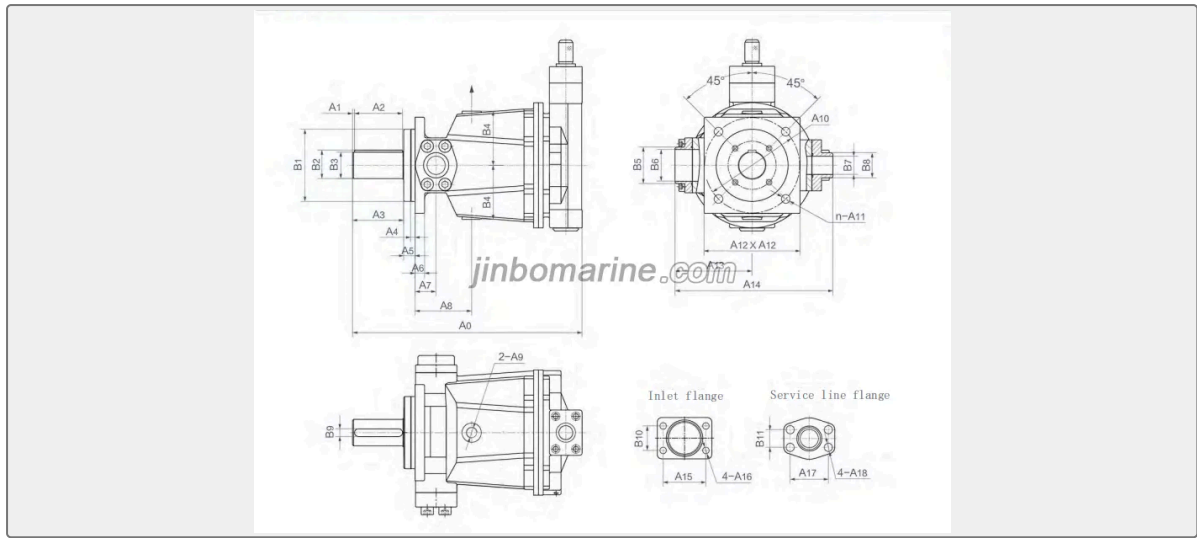
Model	Displacement (ml/rev)	Rated power(MPa)	Rated power(r/min)	1500rpm Max.power (KW)
QG25	25	31.5	1500	20
QG28	28	31.5	1500	22

QG32	32	31.5	1500	25
QG40	40	31.5	1500	31
QG45	45	31.5	1500	35
QG55	55	31.5	1500	43
QG63	63	31.5	1500	50
QG71	71	31.5	1500	56
QG80	80	31.5	1500	63
QG90	90	31.5	1500	71
QG95	95	31.5	1500	75
QG100	100	31.5	1500	79
QG107	107	31.5	1500	84
QG125	125	31.5	1500	98
QG140	140	31.5	1500	110
QG160	160	31.5	1500	126
QG180	180	31.5	1500	142
QG200	200	31.5	1500	157
QG250	250	31.5	1500	197
QG280	280	31.5	1500	220
QG300	300	31.5	1500	236
QG320	320	31.5	1500	252

## Suggested Dimensions of The Pipe and Pipe Joint

Model	Inlet (mm)	Service Line (mm)	Drain port (mm)
QG25/28/32/40/45	≥φ35	≥φ20	≥φ10
QG55/63/71/80/90	≥φ40	≥φ25	≥φ14
QG95/100/107/125	≥φ50	≥φ32	≥φ16
QG140/160/180/200	≥φ66	≥φ38	≥φ18
QG250/280/300/320	≥φ90	≥φ50	≥φ28

# Overall Dimension



Model	A0	A1	A2	A3	A4	A5	A6	A7	A8	A9	A10	A11	A12	A13	A14
QG25/28/32/40/45Y	300	4	45	54	9	19	15	30	78	M14x1.5	φ125	φ12	125	118	236
QG55/63/71/80/90Y	355	4	50	62		19	16	35	92	M18x1.5	φ155	φ14	155	135	271
QG95/100/107/125Y	385	4	60	70		21	16	35	97	M22x1.5	φ155	φ18	155	144	294
QG140/160/180/200Y	478	4	100	109		21	20	44	118	M22x1.5	φ198	φ18	200	160.5	329
QG250/280/300/320Y	567	5	100	113		21	25	75	170	M33x2	φ230	φ24	230	192.5	392
Model	A15	A16	A17	A18	B1 (f9)	B2	B3 (h6)	B4	B5	B6	B7	B8	B9 (h9)	B10	B11

QG25/ 28/32/ 40/45 Y	58.7	11	50.8	11	φ100	33	φ30	71	φ42	φ34	φ20	φ28	8	30.2	23.8
QG55/ 63/71/ 80/90 Y	70	13	57.1	13	φ120	42.8	φ40	88	φ50	φ40	φ25	φ35	12	35.7	27.8
QG95/ 100/1 07/12 5Y	77.8	13	66.7	15	φ120	42.8	φ40	96	φ60	φ50	φ32	φ43	12	42.9	31.6
QG14 0/160/ 180/2 00Y	89	13.5	79.4	17	φ150	59	φ55	112. 5	φ76	φ66	φ38	φ52	16	50.8	36.7
QG25 0/280/ 300/3 20Y	120. 7	17	96.8	21	φ180	63.9	φ60	135	φ10 0	φ90	φ50	φ65	18	69.9	44.5