

Jinbo Marine

Marine & Offshore Equipment Datasheet

PRODUCT DATASHEET

STUD LINK MOORING CHAIN

R4S Offshore Stud Link Mooring Chain

R4S Offshore Stud Link Mooring Chain is high standard chain for mooring system for offshore project, the strength is up 960N/mm². This chains can be supplied with International Class Society Certificate. ...

ISO9001 Supplier

Class Certificate

Export Supply



Key Highlights

Category	Stud Link Mooring Chain
Standard	EN
Material	Rolled Steel Bars
Weight / Size	Size:
Certificate	ABS, LR, BV, GL, RINA, DNV, NK, KR, CCS

We can supply according to your requirement, drawings, class certificate needs, and delivery schedule.

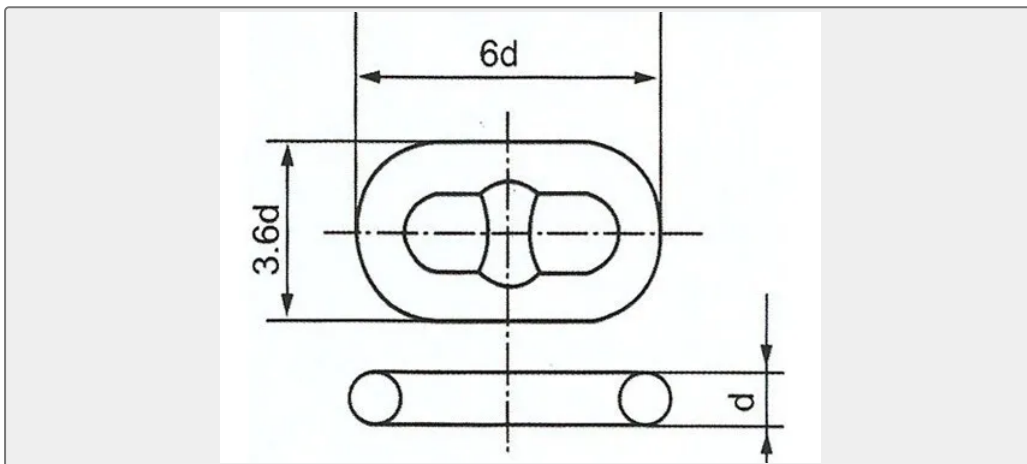
Technical Specifications

Category	Stud Link Mooring Chain	Model / SKU	R4S-Offshore-Stud-Link-Mooring-Chain
Standard	EN	Material	Rolled Steel Bars
Weight / Size	Size:	Surface	Painted
Certificate	ABS, LR, BV, GL, RINA, DNV, NK, KR, CCS	Warranty	12 Months unless specified otherwise
Origin	China		

CONTENTS

- China R4S Offshore Stud Link Mooring Chain:
- Main Specification:
- Poof Load for R4S Offshore Stud Link Mooring Chain

China R4S Offshore Stud Link Mooring Chain:



R4S Offshore Stud Link Mooring Chain is high standard chain for mooring system for offshore project, the strength is up 960N/mm². This chains can be supplied with International Class Society Certificate.

Main Specification:

Size: 34mm-162mm

Grade: R4S

Finish: Black Painted.

Certificate: ABS, LR, BV, GL, RINA, DNV, NK, KR, CCS

Poof Load for R4S Offshore Stud Link Mooring Chain