

Jinbo Marine

Marine & Offshore Equipment Datasheet

PRODUCT DATASHEET

MARINE COVER

Round Steel Watertight Hatch Cover

Standard:CB/T3842-2000 The hatch cover is with the spring-balance device and the central clip device, so it is watertight, and can be opened or closed quickly and easily. There are two types, A type is round, B type...

ISO9001 Supplier

Class Certificate

Export Supply



Key Highlights

Category	Marine Cover
Standard	CB
Material	Steel
Weight / Size	Cover-Steel Coaming-Steel Handwheel-Steel, Stainless Steel or Steel with...
Certificate	CCS, BV, ABS, GL, LR, DNV, NK,RINA, KR,IRS

We can supply according to your requirement, drawings, class certificate needs, and delivery schedule.

Technical Specifications

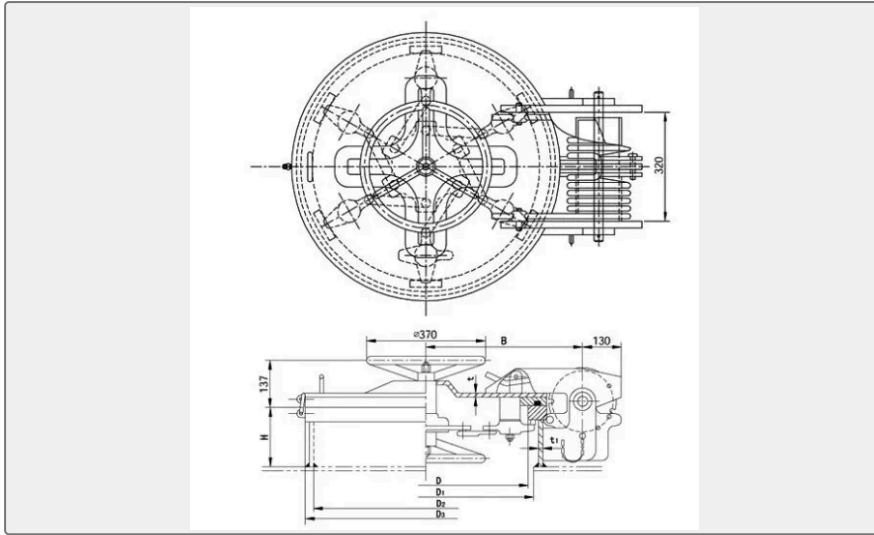
Category	Marine Cover	Model / SKU	Round-Steel-Watertight-Hatch-Cover
Standard	CB	Material	Steel
Weight / Size	Cover-Steel Coaming-Steel Handwheel-Steel, Stainless Steel or Steel with Galv Spring-Spring Steel Main Size List(mm):	Certificate	CCS, BV, ABS, GL, LR, DNV, NK,RINA, KR,IRS
Warranty	12 Months unless specified otherwise	Origin	China

CONTENTS

- China Round Steel Watertight Hatch Cover:
- Main Material:
- Main Size List(mm):



China Round Steel Watertight Hatch Cover:



Standard:CB/T3842-2000

The hatch cover is with the spring-balance device and the central clip device, so it is watertight, and can be opened or closed quickly and easily. There are two types, A type is round, B type is square. It is used as the quick entry or exit which has the watertight demand on various ships

The use pressure is 0.2Mpa.

Watertight test requirement: The cover must be closed, and maintain 15 minutes after 0.3Mpa water is put into the test tank.

Main Material:

Cover-Steel

Coaming-Steel

Handwheel-Steel, Stainless Steel or Steel with Galv

Spring-Spring Steel

Main Size List(mm):

Clear Size	Cut Out Size	Coaming Inner Diameter	Cover Outside Diameter	Cover Thickness	Coaming		Center Distance	Weight
					t1	H		
D	D1	D2	D3	t	t1	H	B	kgs
600	640	670	720	12	1	20	473	245
650	690	720	770				498	266
700	740	770	820				523	285
750	790	820	870				548	306
800	840	870	920				573	328