

Jinbo Marine

Marine & Offshore Equipment Datasheet

PRODUCT DATASHEET

STEEL CARGO BLOCK

Snatch Blocks Self Locking

Drawing: Picture: Specification: stock no. will(t) wire up to (mm) dimensions(mm) weight(kg)

...

ISO9001 Supplier

Class Certificate

Export Supply



Key Highlights

Category	Steel Cargo Block
Standard	EN
Weight / Size	will(t) wire up to (mm) dimensions(mm) weight(kg) D1 D2 F ΦG ΦJ K L M R ...
Certificate	ABS, LR, BV, DNVGL, NK, KR, IRS, RMRS, CCS

We can supply according to your requirement, drawings, class certificate needs, and delivery schedule.

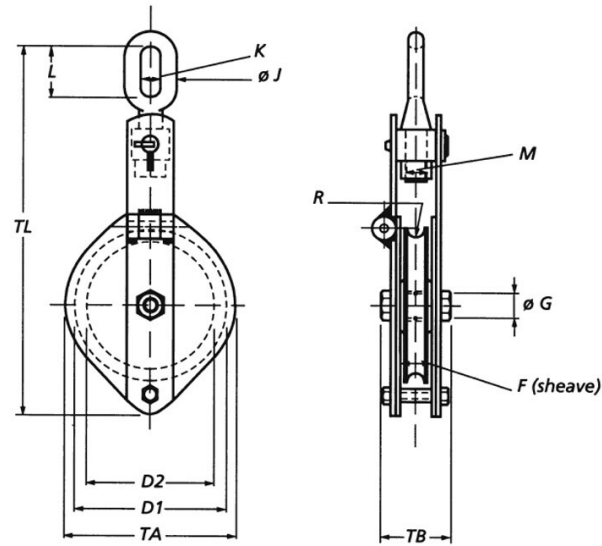


Technical Specifications			
Category	Steel Cargo Block	Model / SKU	Snatch-Blocks-Self-Locking
Standard	EN	Weight / Size	will(t) wire up to (mm) dimensions(mm) weight(kg) D1 D2 F ΦG ΦJ K L M R TA TB TL 12.125.01.10 1 10 125 105 27 22 16 26 58 18 5.5 135 80 316 4.5 12.150.02.10 2 12 150 120 40 30 16 26 58 24 6.5 170 100 391 8 12.200.03.30 3 14 200 165 40 30 21 32 72 30 7.5 220 100 483 12.5 12.250.04.10 4 18 250 210 45 35 25 40 94 33 9.5 270 110 614 21 12.300.06.10 6 20 300 255 50 40 29 45 108 42 11 320 125 698 33 12.350.08.10 8 22 350 305 60 45 32 49 115 45 12 380 150 777 48 12.400.10.10 10 24 400 345 65 50 36 54 125 52 13 430 170 870 68 12.400.12.10 12 24 400 345 65 5 41 60 144 56 13 430 170 896 83 12.400.16.10 16 28 400 345 70 60 46 66 163 64 15 430 180 950 95 12.450.16.10 16 30 450 390 70 70 46 66 163 64 16 480 180 980 106 12.400.20.30 20 30 400 345 70 70 51 72 173 72 16 430 200 990 122 12.450.20.10 20 32 450 390 70 70 51 72 173 72 17 480 200 1020 130 12.450.25.10 25 36 450 390 80 80 60 80 195 76 19.5 480 224 1045 150 12.450.30.10 30 36 450 390 85 90 60 90 220 80 19.5 480 227 1220 190 12.550.40.13 40 42 550 495 115 120 - 96 96 90 22.5 580 240 1140 250 Product Advantage:
Certificate	ABS, LR, BV, DNVGL, NK, KR, IRS, RMRS, CCS	Warranty	12 Months unless specified otherwise
Origin	China		

CONTENTS	<ul style="list-style-type: none"> ■ Drawing: ■ Specification: ■ Packing and Delivery : 	<ul style="list-style-type: none"> ■ Picture: ■ Product Advantage: ■ How to Order?
-----------------	--	---



Drawing:




dqmarine.com

Picture:



Specification:

stock no.	will(t)	wire up to (mm)	dimensions(mm)													weight(kg)
			D1	D2	F	ϕG	ϕJ	K	L	M	R	TA	TB	TL		
12.125.01.10	1	10	125	105	27	22	16	26	58	18	5.5	135	80	316	4.5	
12.150.02.10	2	12	150	120	40	30	16	26	58	24	6.5	170	100	391	8	
12.200.03.30	3	14	200	165	40	30	21	32	72	30	7.5	220	100	483	12.5	
12.250.04.10	4	18	250	210	45	35	25	40	94	33	9.5	270	110	614	21	

 0.074595s

12.300.06.10	6	20	30 0	25 5	50	40	29	45	10 8	42	11	32 0	12 5	698	33
12.350.08.10	8	22	35 0	30 5	60	45	32	49	11 5	45	12	38 0	15 0	777	48
12.400.10.10	10	24	40 0	34 5	65	50	36	54	12 5	52	13	43 0	17 0	870	68
12.400.12.10	12	24	40 0	34 5	65	5	41	60	14 4	56	13	43 0	17 0	896	83
12.400.16.10	16	28	40 0	34 5	70	60	46	66	16 3	64	15	43 0	18 0	950	95
12.450.16.10	16	30	45 0	39 0	70	70	46	66	16 3	64	16	48 0	18 0	980	106
12.400.20.30	20	30	40 0	34 5	70	70	51	72	17 3	72	16	43 0	20 0	990	122
12.450.20.10	20	32	45 0	39 0	70	70	51	72	17 3	72	17	48 0	20 0	102 0	130
12.450.25.10	25	36	45 0	39 0	80	80	60	80	19 5	76	19. 5	48 0	22 4	104 5	150
12.450.30.10	30	36	45 0	39 0	85	90	60	90	22 0	80	19. 5	48 0	22 7	122 0	190
12.550.40.13	40	42	55 0	49 5	11 5	120	-	96	96	90	22. 5	58 0	24 0	114 0	250

Product Advantage:

- 1.Satisfactory Quality
- 2.Competitive Price
- 3.Prompt Delivery
- 4.7x24 hours service

Packing and Delivery :

1. Standard Export Packing or Seaworthy Packing, if you have special requirement, please specify when inquiry.
2. Fast Delivery, delivery time can negotiate when order.

How to Order?

1. Please inform us the model, type or size you need.
2. Please inform us the quantity to make the best price for you.
3. Shipment Model: Air or Sea shipment.
4. Special requirement if any.

