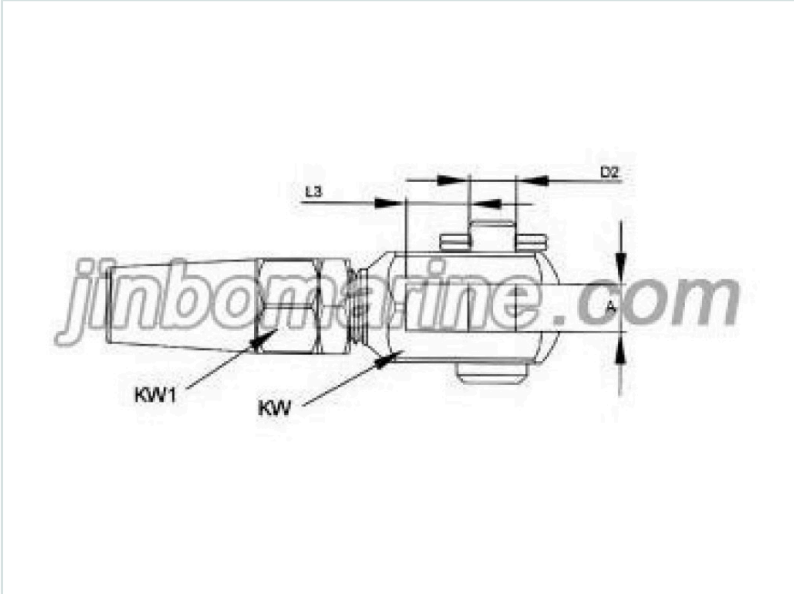


TURNBUCKLE

Swageless Jaw Terminal, SS304 OR SS316

- ISO9001 Supplier
- Class Certificate
- Export Supply

SIZE D1 DIAM.WIRE (mm) A mm L1 mm L2 mm L3 mm KW mm KW1 mm WEIGHT / 100 pcs (KG) ...



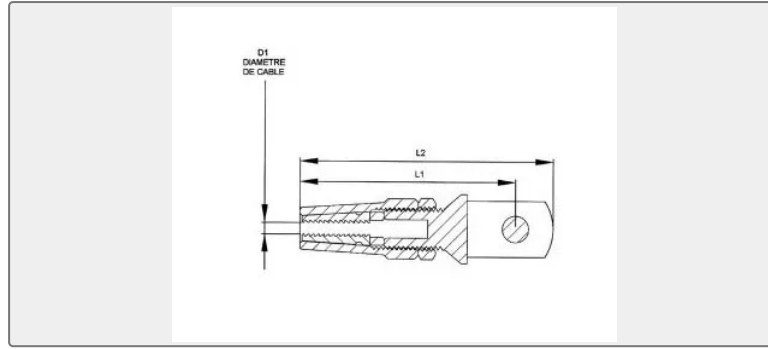
Key Highlights

Category	Turnbuckle
Material	Stainless steel
Weight / Size	SIZE D1 DIAM.WIRE (mm) A mm L1 mm L2 mm L3 mm KW mm KW1 mm WEIGHT / 100 ...
Certificate	ABS, LR, BV, DNVGL, NK, KR, IRS, RMRS, CCS

We can supply according to your requirement, drawings, class certificate needs, and delivery schedule.

Technical Specifications			
Category	Turnbuckle	Model / SKU	SWAGELESS-JAW-TERMINAL-SS304-OR-SS316
Material	Stainless steel	Weight / Size	SIZE D1 DIAM.WIRE (mm) A mm L1 mm L2 mm L3 mm KW mm KW1 mm WEIGHT / 100 pcs (KG) Φ3 3 6.25 49 57 8 12 14 4 Φ4 4 7.9 60.5 71.4 8.3 14 19 8 Φ5 5 9.7 69 79 10 16 22 12 Φ6 6 11 81 93 12 19 27 21 Φ8 8 13 106 120 15 24 30 37.6 Φ10 10 16 119 137 13 32 27 -- Φ12 12 19 142 164 15 36 30 --
Certificate	ABS, LR, BV, DNVGL, NK, KR, IRS, RMRS, CCS	Warranty	12 Months unless specified otherwise
Origin	China		

China Swageless Jaw Terminal, SS304 OR SS316:



SIZE	D1 DIAM.WIRE (mm)	A mm	L1 mm	L2 mm	L3 mm	KW mm	KW1 mm	WEIGHT / 100 pcs (KG)
Φ3	3	6.25	49	57	8	12	14	4
Φ4	4	7.9	60.5	71.4	8.3	14	19	8
Φ5	5	9.7	69	79	10	16	22	12
Φ6	6	11	81	93	12	19	27	21
Φ8	8	13	106	120	15	24	30	37.6
Φ10	10	16	119	137	13	32	27	--
Φ12	12	19	142	164	15	36	30	--