

Jinbo Marine

Marine & Offshore Equipment Datasheet


PRODUCT DATASHEET**YACHT & BOAT ACCESSORY****Tringger Snap (Swivel End), SS304 OR SS316 CSSH07**

ISO9001 Supplier

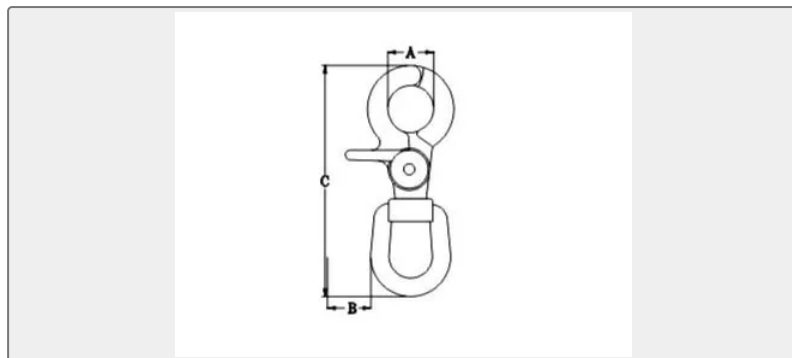
Class Certificate

Export Supply

SIZE A mm B mm C mm SWL kgs BL kgs 50 10.5 13 50 50 ...

	Key Highlights	
	Category	Yacht & Boat Accessory
	Standard	EN
	Material	Stainless steel
	Weight / Size	SIZE A mm B mm C mm SWL kgs BL kgs 50 10.5 13 50 50 200 64 10.5 16 65 60...
Certificate	ABS, LR, BV, DNVGL, NK, KR, IRS, RMRS, CCS	
<p>We can supply according to your requirement, drawings, class certificate needs, and delivery schedule.</p>		

Technical Specifications			
Category	Yacht & Boat Accessory	Model / SKU	TRINGGER-SNAP-SWIVEL-END-SS304-OR-SS316-CSSH07
Standard	EN	Material	Stainless steel
Weight / Size	SIZE A mm B mm C mm SWL kgs BL kgs 50 10.5 13 50 50 200 64 10.5 16 65 60 200	Certificate	ABS, LR, BV, DNVGL, NK, KR, IRS, RMRS, CCS
Warranty	12 Months unless specified otherwise	Origin	China

China Tringger Snap (Swivel End), SS304 OR SS316 CSSH07:

SIZE	A mm	B mm	C mm	SWL kgs	BL kgs
50	10.5	13	50	50	200
64	10.5	16	65	60	200