

Jinbo Marine

Marine & Offshore Equipment Datasheet

PRODUCT DATASHEET

TURNBUCKLE


Turnbuckle DIN 1480(SS304 OR SS316)

SIZE LA L2 m b da di i W.L.L mm mm mm ...

ISO9001 Supplier

Class Certificate

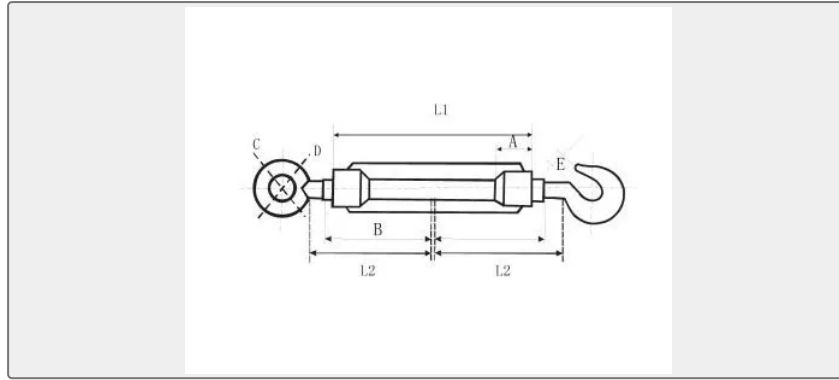
Export Supply



Key Highlights	
Category	Turnbuckle
Standard	DIN
Material	Stainless steel
Weight / Size	SIZE LA L2 m b da di i W.L.L mm mm mm mm mm mm mm mm T M6 110 60 10 53 10 20 4.5 0.2 M8 110 60 14 55 12 26 6.5 0.4 M10 125 65 20 60 14 30.5 8 0.65 M12 125 75 21 70 18 37.5 10.5 0.9 M16 170 100 27 90 22 48 13 1.8 M20 200 115 34 100 25 51 20 2.75 M24 255 140 39 130 28 66 27 3.99 M30 255 145 45 130 35 83 31 6.25 M32 295 160 55 150 36.5 88 33 6.5 M36 295 160 55 150 44 104 40 9 M38 330 185 63 170 42 104 39 9.5
Certificate	ABS, LR, BV, DNVGL, NK, KR, IRS, RMRS, CCS
We can supply according to your requirement, drawings, class certificate needs, and delivery schedule.	

Technical Specifications			
Category	Turnbuckle	Model / SKU	TURNBUCKLE-DIN-1480-SS304-OR-SS316
Standard	DIN	Material	Stainless steel
Weight / Size	SIZE LA L2 m b da di i W.L.L mm mm mm mm mm mm mm mm T M6 110 60 10 53 10 20 4.5 0.2 M8 110 60 14 55 12 26 6.5 0.4 M10 125 65 20 60 14 30.5 8 0.65 M12 125 75 21 70 18 37.5 10.5 0.9 M16 170 100 27 90 22 48 13 1.8 M20 200 115 34 100 25 51 20 2.75 M24 255 140 39 130 28 66 27 3.99 M30 255 145 45 130 35 83 31 6.25 M32 295 160 55 150 36.5 88 33 6.5 M36 295 160 55 150 44 104 40 9 M38 330 185 63 170 42 104 39 9.5	Certificate	ABS, LR, BV, DNVGL, NK, KR, IRS, RMRS, CCS
Warranty	12 Months unless specified otherwise	Origin	China

China Turnbuckle DIN 1480(SS304 OR SS316):



SIZE	LA	L2	m	b	da	di	i	W.L.L
mm	mm	mm	mm	mm	mm	mm	mm	T
M6	110	60	10	53	10	20	4.5	0.2
M8	110	60	14	55	12	26	6.5	0.4
M10	125	65	20	60	14	30.5	8	0.65
M12	125	75	21	70	18	37.5	10.5	0.9
M16	170	100	27	90	22	48	13	1.8
M20	200	115	34	100	25	51	20	2.75
M24	255	140	39	130	28	66	27	3.99
M30	255	145	45	130	35	83	31	6.25
M32	295	160	55	150	36.5	88	33	6.5
M36	295	160	55	150	44	104	40	9
M38	330	185	63	170	42	104	39	9.5