

Jinbo Marine

Marine & Offshore Equipment Datasheet

PRODUCT DATASHEET

CEILING PANEL

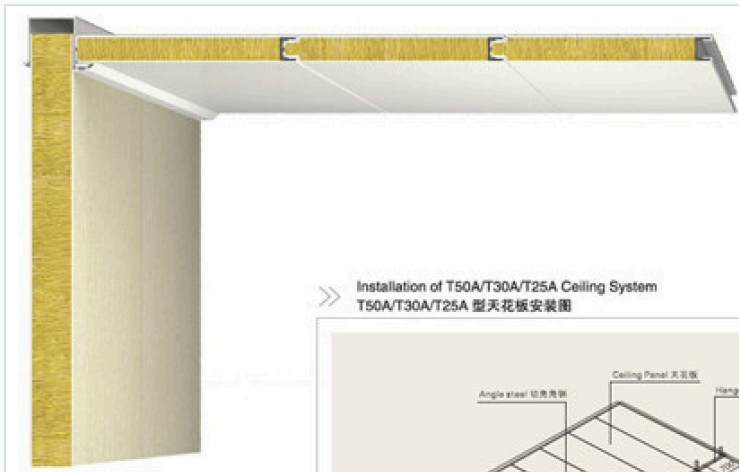
Type A Ceiling Panel

 Ceiling Panel Model Thickness Fire class Core material T50A 50MM B-1...

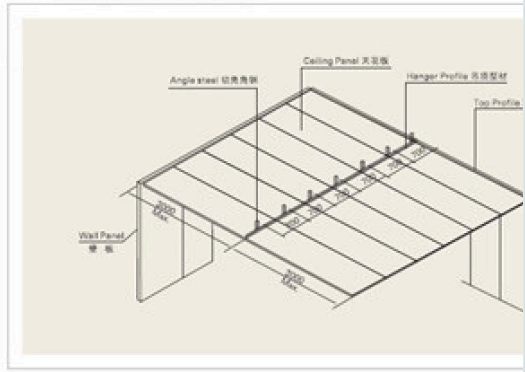
ISO9001 Supplier

Class Certificate

Export Supply



Installation of T50A/T30A/T25A Ceiling System
T50A/T30A/T25A 型天花板安装图



Key Highlights

Category	Ceiling Panel
Standard	EN
Material	Ceiling Panel Model Thickness Fire class Core material T50A 50MM B-15 r...
Weight / Size	Ceiling Panel Model Thickness Fire class Core material T50A 50MM B-15 r...
Certificate	ABS, LR, BV, GL, RINA, DNV, NK, KR, CCS

We can supply according to your requirement, drawings, class certificate needs, and delivery schedule.

Technical Specifications

Category	Ceiling Panel	Model / SKU	Type-A-Ceiling-Panel
Standard	EN	Material	Ceiling Panel Model Thickness Fire class Core material T50A 50MM B-15 rock wool T30A 30mm B-15/B-0 rock wool T25A 25mm B-0 rock wool T25A 25mm B-0 Aluminum honeycomb T30A(II) 30mm B-15 rock wool T30AXY 30mm B-15 rock wool Type A Ceiling Panel Type T50A T30A T25A Fire class B-15 B-15/B-0 B-0 Weight 16.0kg/m2 13.5kg/m2 12.9kg/m2 Sound reduction --dB -- dB --dB Thermal transmittance 0.58Kcal/m2h°C 1.10Kcal/m2h°C 1.14Kcal/m2h°C Core material Rock wool 150kg/m3 Surface finish PVC film(150μ,low flame spread) or galvanized steel Dimension 25/30/50mm(t)×550mm(w)×length (max.3000mm) Tolerances Thickness0-1×Width0-1×Length±3 Advantages Wide range of section Convenient Installation Excellent in fire resistance, heat and sound insulation

Weight / Size	<p>Ceiling Panel Model Thickness Fire class Core material T50A 50MM B-15 rock wool T30A 30mm B-15/B-0 rock wool T25A 25mm B-0 rock wool T25A 25mm B-0 Aluminum honeycomb T30A(II) 30mm B-15 rock wool T30AXY 30mm B-15 rock wool Type A Ceiling Panel Type T50A T30A T25A Fire class B-15 B-15/B-0 B-0 Weight 16.0kg/m² 13.5kg/m² 12.9kg/m² Sound reduction --dB -- dB --dB Thermal transmittance 0.58Kcal/m²h°C 1.10Kcal/m²h°C 1.14Kcal/m²h°C Core material Rock wool 150kg/m³ Surface finish PVC film(150μ,low flame spread) or galvanized steel Dimension 25/30/50mm(t)×550mm(w)×length (max.3000mm) Tolerances Thickness0-1×Width0-1×Length±3 Advantages Wide range of section Convenient Installation Excellent in fire resistance, heat and sound insulation</p>	Surface	galvanized
Certificate	ABS, LR, BV, GL, RINA, DNV, NK, KR, CCS	Warranty	12 Months unless specified otherwise
Origin	China		

CONTENTS

- Ceiling Panel
- Advantages
- Type A Ceiling Panel

Ceiling Panel

Model	Thickness	Fire class	Core material
T50A	50MM	B-15	rock wool
T30A	30mm	B-15/B-0	rock wool
T25A	25mm	B-0	rock wool
T25A	25mm	B-0	Aluminum honeycomb
T30A(II)	30mm	B-15	rock wool
T30AXY	30mm	B-15	rock wool

Type A Ceiling Panel

Type	T50A	T30A	T25A
Fire class	B-15	B-15/B-0	B-0
Weight	16.0kg/m ²	13.5kg/m ²	12.9kg/m ²
Sound reduction	--dB	--dB	--dB
Thermal transmittance	0.58Kcal/m ² h°C	1.10Kcal/m ² h°C	1.14Kcal/m ² h°C
Core material	Rock wool 150kg/m ³		
Surface finish	PVC film(150μ,low flame spread) or galvanized steel		
Dimension	25/30/50mm(t)×550mm(w)×length (max.3000mm)		
Tolerances	Thickness0-1×Width0-1×Length±3		

Advantages

Wide range of section

Convenient Installation

Excellent in fire resistance, heat and sound insulation