

Jinbo Marine

Marine & Offshore Equipment Datasheet

PRODUCT DATASHEET

SHACKLE

US Type Bolt Anchor Shackle G2130

Similar Name US Type Screw Pin Anchor Shackle G-2130 US Type Bolt Anchor Shackle G-2130 US Type Bow Shackle G-2130 US Type Horseshoe-shaped Shackle G-2130 High Strength Shackle G-2130 ...

ISO9001 Supplier

Class Certificate

Export Supply



Key Highlights

Category	Shackle
Standard	EN
Material	45# Steel and 40Cr Steel
Weight / Size	Size Table Nominal Size(in) WLL (Tons) Dimension(in) Weight(lbs) A B C D...
Certificate	ABS, LR, BV, DNVGL, NK, KR, IRS, RMRS, CCS

We can supply according to your requirement, drawings, class certificate needs, and delivery schedule.

Technical Specifications			
Category	Shackle	Model / SKU	US-Type-Bolt-Anchor-Shackle-G2130
Standard	EN	Material	45# Steel and 40Cr Steel
Weight / Size	Size Table Nominal Size(in) WLL (Tons) Dimension(in) Weight(lbs) A B C D E F H L N G-2130 3/16 1/3 0.38 0.25 0.88 0.19 0.6 0.56 1.47 0.98 0.19 0.06 1/4 1/2 0.47 0.31 1.13 0.25 0.78 0.61 1.84 1.28 0.25 0.11 5/16 3/4 0.53 0.38 1.22 0.31 0.84 0.75 2.09 1.47 0.31 0.22 3/8 1 0.66 0.44 1.44 0.38 1.03 0.91 2.49 1.78 0.38 0.33 7/16 1 1/2 0.75 0.5 1.69 0.44 1.16 1.06 2.91 2.03 0.44 0.49 1/2 2 0.81 0.64 1.88 0.5 1.31 1.19 3.28 2.31 0.5 0.79 5/8 3 1/4 1.06 0.77 2.38 0.63 1.69 1.5 4.19 2.94 0.69 1.68 3/4 4 3/4 1.25 0.89 2.81 0.75 2 1.81 4.97 3.5 0.81 2.72 7/8 6 1/2 1.44 1.02 3.31 0.88 2.28 2.09 5.83 4.03 0.97 3.95 1 8 1/2 1.69 1.15 3.75 1 2.69 2.38 6.56 4.69 1.06 5.66 1 1/8 9 1/2 1.81 1.25 4.25 1.13 2.91 2.69 7.47 5.16 1.25 8.27 1'1/4 12 2.03 1.4 4.69 1.29 3.25 3 8.25 5.75 1.38 11.71 1 3/8 13 1/2 2.25 1.53 5.25 1.42 3.63 3.31 9.16 6.38 1.5 15.83 1 1/2 17 2.38 1.66 5.75 1.53 3.88 3.63 10 6.88 1.62 19 1 3/4 25 2.88 2.04 7 1.84 5 4.19 12.34 8.8 2.25 33.91 2 35 3.25 2.3 7.75 2.08 5.75 4.81 13.68 10.15 2.4 52.25 2 1/2 55 4.13 2.8 10.5 2.71 7.25 5.69 17.9 12.75 3.13 98.25 3 85 5 3.3 13 3.12 7.88 6.5 21.5 14.62 3.62 154 '3 1/2 120 5.25 3.76 14.63 3.62 9 8 24.88 17.02 4.38 265 4 150 5.5 4.26 14.5 4 10 9 25.68 18 4.56 338	Certificate	ABS, LR, BV, DNVGL, NK, KR, IRS, RMRS, CCS
Warranty	12 Months unless specified otherwise	Origin	China

CONTENTS	■ Similar Name	■ Main Specification
	■ Size Table	

Similar Name

US Type Screw Pin Anchor Shackle G-2130

US Type Bolt Anchor Shackle G-2130

US Type Bow Shackle G-2130

US Type Horseshoe-shaped Shackle G-2130

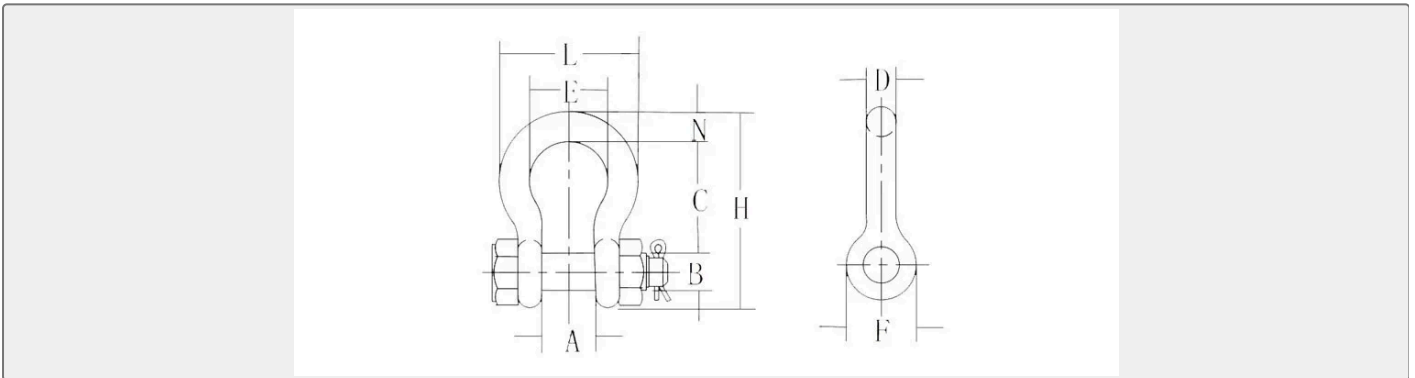
High Strength Shackle G-2130

Alloy Steel Shackle G-2130

Main Specification

- U type body and a lateral pin.
- Drop Forged
- 45# Steel and 40Cr Steel
- Used in lifting or fasten cargo or machinery purpose.

Size Table



Nominal Size(in)	WLL (Tons)	Dimension(in)										Weight(lbs)
		A	B	C	D	E	F	H	L	N	G-2130	
3/16	1/3	0.38	0.25	0.88	0.19	0.6	0.56	1.47	0.98	0.19	0.06	
1/4	1/2	0.47	0.31	1.13	0.25	0.78	0.61	1.84	1.28	0.25	0.11	
5/16	3/4	0.53	0.38	1.22	0.31	0.84	0.75	2.09	1.47	0.31	0.22	
3/8	1	0.66	0.44	1.44	0.38	1.03	0.91	2.49	1.78	0.38	0.33	
7/16	1 1/2	0.75	0.5	1.69	0.44	1.16	1.06	2.91	2.03	0.44	0.49	
1/2	2	0.81	0.64	1.88	0.5	1.31	1.19	3.28	2.31	0.5	0.79	
5/8	3 1/4	1.06	0.77	2.38	0.63	1.69	1.5	4.19	2.94	0.69	1.68	
3/4	4 3/4	1.25	0.89	2.81	0.75	2	1.81	4.97	3.5	0.81	2.72	
7/8	6 1/2	1.44	1.02	3.31	0.88	2.28	2.09	5.83	4.03	0.97	3.95	
1	8 1/2	1.69	1.15	3.75	1	2.69	2.38	6.56	4.69	1.06	5.66	

1 1/8	9 1/2	1.81	1.25	4.25	1.13	2.91	2.69	7.47	5.16	1.25	8.27
1 1/4	12	2.03	1.4	4.69	1.29	3.25	3	8.25	5.75	1.38	11.71
1 3/8	13 1/2	2.25	1.53	5.25	1.42	3.63	3.31	9.16	6.38	1.5	15.83
1 1/2	17	2.38	1.66	5.75	1.53	3.88	3.63	10	6.88	1.62	19
1 3/4	25	2.88	2.04	7	1.84	5	4.19	12.34	8.8	2.25	33.91
2	35	3.25	2.3	7.75	2.08	5.75	4.81	13.68	10.15	2.4	52.25
2 1/2	55	4.13	2.8	10.5	2.71	7.25	5.69	17.9	12.75	3.13	98.25
3	85	5	3.3	13	3.12	7.88	6.5	21.5	14.62	3.62	154
3 1/2	120	5.25	3.76	14.63	3.62	9	8	24.88	17.02	4.38	265
4	150	5.5	4.26	14.5	4	10	9	25.68	18	4.56	338