

Jinbo Marine

Marine & Offshore Equipment Datasheet

PRODUCT DATASHEET

SHACKLE

US Type DEE Shackle

SIZE A B C D E 3/16 5 6 10 19 ...

ISO9001 Supplier

Class Certificate

Export Supply



Key Highlights

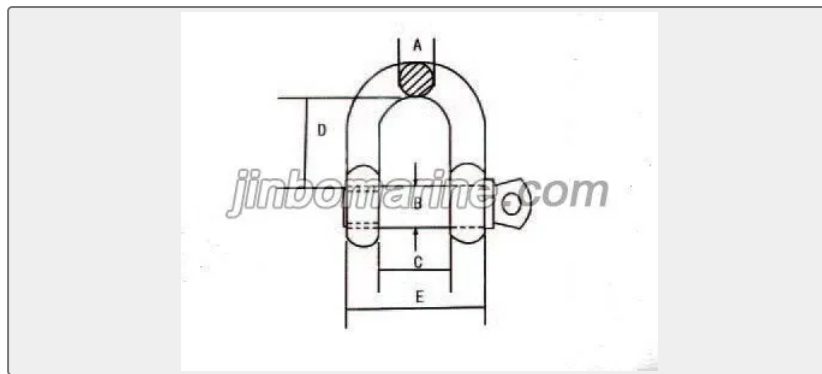
Category	Shackle
Material	Stainless steel
Weight / Size	SIZE A B C D E 3/16 5 6 10 19 20 1/4 6 8 13 22 25 5/16 8 10 14 26 30 3/8...
Certificate	ABS, LR, BV, DNVGL, NK, KR, IRS, RMRS, CCS

We can supply according to your requirement, drawings, class certificate needs, and delivery schedule.

Technical Specifications

Category	Shackle	Model / SKU	US-TYPE-DEE-SHACKLE
Material	Stainless steel	Weight / Size	SIZE A B C D E 3/16 5 6 10 19 20 1/4 6 8 13 22 25 5/16 8 10 14 26 30 3/8 10 12 17 32 37 7/16 11 12 18 36 40 1/2 12 14 21 41 45 5/8 16 18 27 51 59 3/4 20 22 32 60 72 7/8 22 25 37 71 81 1 25 28 43 81 93 1-1/8 28 30 46 90 102 1-1/4 32 36 51 100 115
Certificate	ABS, LR, BV, DNVGL, NK, KR, IRS, RMRS, CCS	Warranty	12 Months unless specified otherwise
Origin	China		

China US Type DEE Shackle:



SIZE	A	B	C	D	E
3/16	5	6	10	19	20
1/4	6	8	13	22	25
5/16	8	10	14	26	30
3/8	10	12	17	32	37
7/16	11	12	18	36	40
1/2	12	14	21	41	45
5/8	16	18	27	51	59
3/4	20	22	32	60	72
7/8	22	25	37	71	81
1	25	28	43	81	93
1-1/8	28	30	46	90	102
1-1/4	32	36	51	100	115