

Jinbo Marine

Marine & Offshore Equipment Datasheet

PRODUCT DATASHEET

MARINE ELECTRIC MOTOR

YD—H Three Phase Induction Marine Electronic Motor

ISO9001 Supplier

Class Certificate

Export Supply

Introduction YD-H series is a deriving series of YH series marine use three□phase induction motors. It is able to change its poles and rotation speeds according to various loading, so as to match with ...



Key Highlights

Category	Marine Electric Motor
Standard	DIN
Weight / Size	Frame size:
Certificate	IR GL DNV KR

We can supply according to your requirement, drawings, class certificate needs, and delivery schedule.

Technical Specifications

Category	Marine Electric Motor	Model / SKU	YD-H-Three-Phase-Induction-Marine-Electronic-Motor
Standard	DIN	Weight / Size	Frame size:
Surface	Enclosure is made of gray cast iron, surface of winding and all of metal parts should meet humid-tropic requirement.	Certificate	IR GL DNV KR
Warranty	12 Months unless specified otherwise	Origin	China

CONTENTS

- Introduction
- Type
- Electric Current/A
- Connecting methods
- Main technical data
- Output /kW
- Rotating Speed/ r/min
- Type

Introduction

YD-H series is a deriving series of YH series marine use three-phase induction motors. It is able to change its poles and rotation speeds according to various loading, so as to match with the powers and to simplify speed-changing system. It has the features of high efficiency, energy saving, large starting torque, low noise and small vibration.

Enclosure is made of gray cast iron, surface of winding and all of metal parts should meet humid-tropic requirement. After specialized impregnation and well treatment to obtain the adequate damp-proof, anti-fungus, salt-mist properties. It can be widely used drive marine machine which need varied speed.

Operating Conditions:

Ambient temperature: 0°C ~ 45°C ;

Altitude: 0m;

Relative humidity of air: ≤ 95%

Frozen dew: Oil dew: Fungus: Shock: Vibration: exist;

Inclination and Swing: ±22.5°

Rated frequency: 50Hz/60Hz;

Rated Voltage: 380V/440V;

Protection class : IP44;

Insulation class: B or F;

Connecting methods: Δ /YY、 Y / Δ /YY、 Δ /Y Δ /YY/YY;

Mounting ways: IMB3、 IMB35、 IMB5、 IMV1;

Power scope: 0.45~250kW;

Frame size: H80~355

Duty: continuous S1

Pulley, spur gear and flexible coupling can be used for driving.

Main technical data

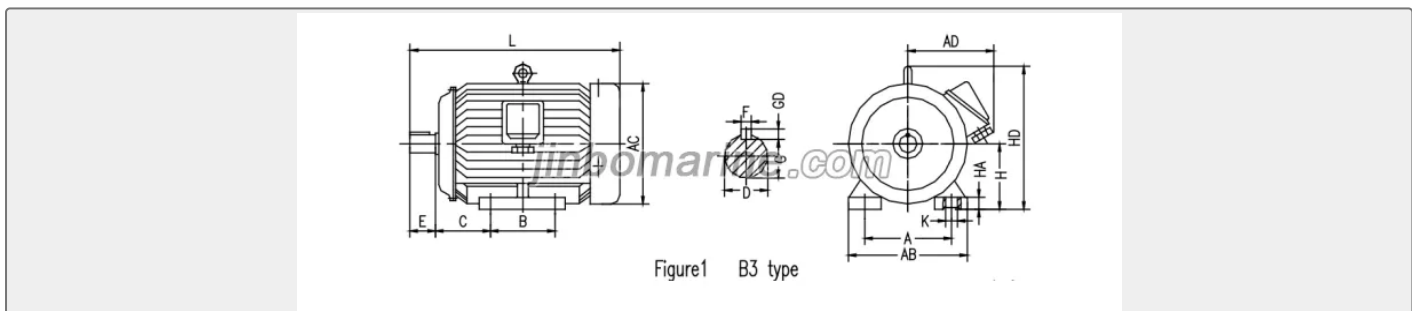
Type	Output /kW	Electric Current/A	Rotating Speed/r/min	Connecting methods	Type	Output /kW	Electric Current/A	Rotating Speed/r/min	Connecting methods

YD801-4/2-H	0.45/0.55	1.4/1.5	1420/2860	△ /YY	YD160L-6/4-H	9/11	20.6/23.7	965/1465	△ /YY
YD802-4/2-H	0.55/0.75	1.7/2.0	1420/2860		YD160L-8/4-H	7/11	19.0/21.8	730/1455	
YD90S-4/2-H	0.85/1.1	2.3/2.8	1415/2845		YD160L-8/6-H	6/8	17.5/19.4	730/980	
YD90L-4/2-H	1.3/1.8	3.3/4.4	1410/2855		YD160L-12/6-H	3.7/7	16.1/15.8	485/975	
YD90S-6/4-H	0.65/0.85	2.3/2.3	920/1410		YD160L-6/4/2-H	4.5/7/9	11.4/15.1/18.8	980/1470/2940	Y/ △ /YY
YD90L-6/4-H	0.85/1.1	2.8/3.0	925/1415		YD160L-8/4/2-H	2.8/7/9	9.2/15.1/18.8	730/1470/2940	
YD90L-8/4-H	0.45/0.75	1.9/1.9	670/1390		YD160L-8/6/4-H	4.5/6/7.5	13.8/14.5/15.6	735/980/1460	△ /Y/YY
YD90S-8/6-H	0.35/0.45	1.6/1.4	675/930		YD180M-6/4-H	4.5/14	17.5/32	984/1479	△ /YY
YD90L-8/6-H	0.45/0.65	1.9/1.8	680/920		YD180M-8/6-H	4.5/10	21/24.5	736/984	
YD100L1-4/2-H	2/2.4	4.8/5.6	1435/2855		YD180M-8/6-H	5.5/10	22.1/24.5	736/984	
YD100L2-4/2-H	2.4/3	5.6/6.7	1430/2855		YD180L-6/4-H	6.5/13	19.3/30.5	984/1479	
YD100L1-6/4-H	1.3/1.8	3.8/4.4	940/1440		YD180L-6/4-H	4.5/15	17.5/33.5	984/1479	
YD100L2-6/4-H	1.5/2.2	4.3/5.4	945/1435		YD180L-6/4-H	13/16	28.6/35.5	984/1479	
YD100L-8/4-H	0.85/1.5	3.1/3.5	710/1415	YD180L-6/4-H	14/16	30/35.5	984/1479		
YD100L-8/6-H	0.75/1.1	2.9/3.1	710/950	YD180L-6/4-H	5.5/17	18.3/36.8	984/1479		
YD100L-6/4/2-H	0.75/1.3/1.8	2.6/3.7/4.5	950/1450/2905	Y/△ /YY	YD180L-6/4-H	5/19.5	17.8/43	984/1479	
YD112M-4/2-H	3.3/4	7.4/8.6	1460/2960	△ /YY	YD180L-8/4-H	11/17	30/32	725/1460	
YD112M-6/4-H	2.2/2.8	5.7/6.7	945/1450		YD180L-8/4-H	5.5/19	23/36	725/1460	
YD112M-8/4-H	1.5/2.4	5.0/5.3	690/1445		YD180L-8/6-H	2.5/12	22.1/27.5	725/1460	

YD112M-8/6-H	1.3/1.8	4.5/4.8	695/950		YD200L-4/2-H	26/30	49.9/58.3	1470/2950	△ /YY
YD112M-6/4/2-H	1.1/2/2.4	3.5/5.1/5.8	960/1465/2975	Y/ △ /YY	YD200L-6/4-H	8/24	24/48.2	980/1460	
YD112M-8/4/2-H	0.65/2/2.4	2.7/5.1/5.8	685/1465/2975		YD200L-6/4-H	18.5/22	41.4/44.9	980/1460	
YD112M-8/6/4-H	0.85/1/1.5	3.7/3.1/3.5	700/950/1460	△ /Y/YY	YD200L-6/4-H	12/20	27.5/40.5	980/1460	
YD132S-4/2-H	4.5/5.5	9.8/11.9	1470/2957	△ /YY	YD200L-6/4-H	5/19	20/39	980/1460	
YD132S-6/4-H	3/4	7.7/9.5	965/1470		YD200L-6/4-H	11/18.5	26/38.5	980/1460	
YD132S-8/4-H	2.2/3.3	7.0/7.1	715/1465		YD200L-6/4-H	12/17	27.3/34	980/1460	
YD132S-8/6-H	1.8/2.4	5.8/6.2	715/970		YD200L1-8/6-H	8/17	24/40	730/976	
YD132S-6/4/2-H	1.8/2.6/3	5.1/6.1/7.4	970/1475/2970	Y/ △ /YY	YD200L2-8/6-H	11/22	30/47	730/976	
YD132S-8/4/2-H	1/2.6/3	3.5/5.9/7.0	710/1475/2970		YD200L2-8/6-H	15/20	31/43	730/976	
YD132S-8/6/4-H	1.1/1.5/1.8	4.1/4.2/4.0	720/970/1470	△ /Y/YY	YD200L2-8/6-H	10/20	28.5/43	730/976	
YD132M-4/2-H	6.5/8	13.8/17.1	1470/2960	△ /YY	YD200L-8/6/4-H	10/13/17	27.2/34/40	740/980/1470	Y/ △ /YY
YD132M-6/4-H	4/5.5	9.8/12.3	960/1470		YD225S-6/4-H	22/28	43.5/53.1	984/1479	△ /YY
YD132M-8/4-H	3/4.5	9.0/9.4	715/1465		YD225S-8/6/4-H	14/18.5/24	35/40/48	740/990/1480	△ /Y/YY
YD132M-8/6-H	2.6/3.7	5.8/6.2	715/970		YD225M-6/4-H	35/32	51.5/60.5	985/1475	△ /YY
YD132M1-6/4/2-H	2.2/3.3/4	6.0/7.5/8.8	970/1470/2970	Y/△ /YY	YD225M-8/4-H	24/34	52.5/66.7	734/1469	
YD132M2-6/4/2-H	2.6/4/5	6.9/9.0/10.8	970/1475/2960		YD225M-8/6-H	12/25	34/50	739/979	
YD132M-8/4/2-H	1.3/3.7/4.5	4.6/8.4/10.0	710/1475/2970		YD225M-8/6-H	15/22	34/48	739/979	
YD132M1-8/6/4-H	1.5/2/2.2	5.2/5.4/4.9	720/975/1470	△ /Y/YY	YD225M-12/6-H	7.5/22	20/44	480/980	Y/YY
YD132M2-8/6/4-H	1.8/2.6/3	6.1/6.8/6.5	720/975/1470		YD225M-12/6-H	4.4/22	14.8/44	480/980	

YD160M-4/2-H	9/11	18.5/22.9	1460/2920	△ /YY	YD250M-6/4-H	32/42	62/80	989/1482	△ /YY
YD160M-6/4-H	6.5/8	15.1/17.4	965/1460		YD250M-8/6-H	15/30	35/56	742/983	
YD160M-8/4-H	5/7.5	13.9/15.2	730/1450		YD280S-8/6-H	20/37	48/69.5	720/970	△ /YY
YD160M-8/6-H	4.5/6	13.3/14.7	730/975		YD280S-8/6-H	18/37	43/69.5	743/970	
YD160M-6/12-H	2.6/5	11.6/11.9	485/975		YD280M1-8/6-H	22/40	56/77	744/983	
YD160M-6/4/2-H	3.7/5/6	9.5/11.2/13.2	975/1475/2945	Y/ △ /YY	YD280M1-8/6-H	22/45	56/87	744/983	
YD160M-8/4/2-H	2.2/5/6	7.6/11.2/13.2	730/1475/2945		YD280M2-8/6-H	27/55	65/108	744/983	
YD160M-8/6/4-H	3.3/4/5.5	10.2/9.9/11.6	735/980/1460	△ /Y/YY	YD280M-10/8-H	22/35	60/80	593/939	Y/Y
YD160L-4/2	11/14	22.3/28.8	1455/2925	△ /YY					

B3 Mounting and overall dimensions



Frame size	Mounting and overall dimensions															
	A	B	C	D	E	F	G	GD	H	K	AB	AC	AD	HA	HD	L
80	125	100	50	19	40	6	15.5	6	80	10	165	165	160	12	205	290
90S	140		56	24	50	8	20		7		90	180	180	175		
90L		125														350
100L	160	140	63	28	60		24		100	12	205	205	185	16	250	385
112M	190		70						112		245	230	195	18		

132S	216		89	38	80	10	33	8	132		280	270	245	20	320	480
132M		178														520
160M	254	210	108	42	110	12	37		160	15	330	325	270	22	385	605
160L		254														650
180M	279	241	121	48		14	42.5	9	180		355	360	290	24	425	670
180L		279														710
200L	318	305	133	55		16	49	10	200	19	395	400	355	28	475	780
225S	356	286	149	55/60	110/140	16/18	49/53	10/11	225		435	450	370	30	530	825
225M		311														820/850
250M	406	349	168	60/65	140	18	53/58	11	250	24	490	495	455	32	570	935
280S	457	368	190	65/75		18/20	58/67.5	11/12	280		550	550	470	38	640	1020
280M		419														1070

Note : The numerators of fractions in the table give the data of 2-pole motors and the denominators of fractions the data motors more than 2-pole.

B5 Mounting and overall dimensions

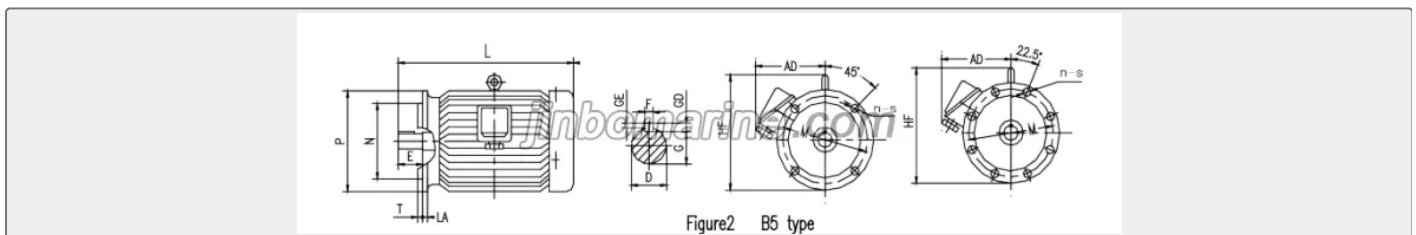


Figure2 B5 type

Frame size	Mounting and overall dimensions															
	D	E	F	G	GD	M	N	P	S	T	n	AC	AD	HF	LA	L

80	19	40	6	15.5	6	165	130	200	12	3.5	4	165	160	230	12	290
90S	24	50	8	20	7							180	175	235		320
90L																345
100L	28	60		24		215	180	250	15	4		205	185	275	14	385
112M												230	195	285		405
132S	38	80	10	33	8	265	230	300				270	245	340	18	480
132M																520
160M	42	110	12	37		300	250	350	19	5		325	270	400		605
160L																650
180M	48		14	42.5	9							360	290	420		670
180L																705
200L	55		16	49	10	350	300	400				400	355	470		780
225S	55/60	110/140	16/18	49/53	10/11	400	350	450			8	450	370	530	20	825
225M																820/850

Note : The numerators of fractions in the table give the data of 2-pole motors and the denominators of fractions the data motors more than 2-pole.

B35 Mounting and overall dimensions



Frame size	Mounting and overall dimensions																				
	A	B	C	D	E	F	G	G D	H	K	M	N	P	S	T	n	A B	A C	A D	H A	H D

80	1 2 5	1 0 0	5 0	19	40	6	15. 5	6	8 0	1 0	16 5	1 3 0	2 0 0	1 2	3. 5	4	1 6 5	1 6 5	1 6 0	1 2 0	2 0 5	290
90S	1 4		5 6	24	50	8	20	7	9 0								1 8 0	1 8 0	1 7 5	1 4	2 2 5	320
90L	0	1 2 5																				350
100L	1 6 0	1 4 0	6 3	28	60		24		1 0 0	1 2	21 5	1 8 0	2 5 0	1 5	4		2 0 5	2 0 5	1 8 5	1 6 0	2 5 0	385
112M	1 9 0		7 0						11 2								2 4 5	2 3 0	1 9 5	1 8 0	2 7 0	405
132S	2 1		8 9	38	80	10	33	8	1 3		26 5	2 3 0	3 0 0				2 8 0	2 7 0	2 4 5	2 0 0	3 2 0	480
132M	6	1 7 8							2													520
160M	2 5 4	2 1 0	1 0 8	42	110	12	37		1 6 0	1 5	30 0	2 5 0	3 5 0	1 9	5		3 3 0	3 2 5	2 7 0	2 2 5	3 8 5	605
160L		2 5 4																				650
180M	2 7 9	2 4 1	1 2 1	48		14	42. 5	9	1 8 0								3 5 5	3 6 0	2 9 0	2 4	4 2 5	670
180L		2 7 9																				710
200L	3 1 8	3 0 5	1 3 3	55		16	49	10	2 0 0	1 9	35 0	3 0 0	4 0 0				3 9 5	4 0 0	3 5 5	2 8	4 7 5	780
225S	3 5 6	2 8 6	1 4 9	55 /6 0	110 /14 0	16 /1 8	49/ 53	10/ 11	2 2 5		40 0	3 5 0	4 5 0			8	4 3 5	4 5 0	3 7 0	3 0	5 3 0	825
225M		3 11																				820 /85 0
250M	4 0 6	3 4 9	1 6 8	60 /6 5	140	18	53/ 58	11	2 5 0	2 4	50 0	4 5 0	5 5 0				4 9 5	4 9 5	4 5 5	3 2	5 7 0	935
280S	4 5 7	3 6 8	1 9 0	65 /7 5		18 /2 0	58/ 67. 5	11/ 12	2 8 0								5 5 0	5 5 0	4 7 0	3 8	6 4 0	102 0
280M		4 1 9																				107 0

Note : The numerators of fractions in the table give the data of 2-pole motors and the denominators of fractions the data motors more than 2-pole.

V1 Mounting and overall dimensions

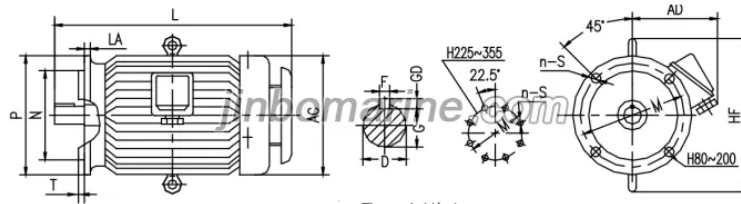


Figure4 V1 type

Frame size	Mounting and overall dimensions																						
	D	E	F	G	GD	M	N	P	S	T	n	AC	AD	HF	LA	L							
80	19	40	6	15.5	6	165	130	200	12	3.5	4	165	165	260	12	335							
90S	24	50	8	20	7							180	180	270					365				
90L																				400			
100L	28	60		24		215	180	250	15	4			205	195	300	14	430						
112M													230	205	320			450					
132S	38	80	10	33	8	265	230	300					270	265	380	18	535						
132M																		575					
160M	42	110	12	37		300	250	350	19	5			325	270	450		660						
160L																							705
180M	48		14	42.5	9														360	290	490		730
180L																	765						
200L	55		16	49	10	350	300	400				400	355	550		840							
225S	55/60	110/140	16/18	49/53	10/11	400	350	450			8	450	370	610	20	890							
225M																							
250M	60/65	140	18	53/58	11	500	450	550					495	455	640	22	995						
280S	65/75		18/20	58/67.5	11/12								550	470	720			1090					
280M																		1140					

Note : The numerators of fractions in the table give the data of 2-pole nntors and the denominators of fractions the data nntors more than 2-pole.

