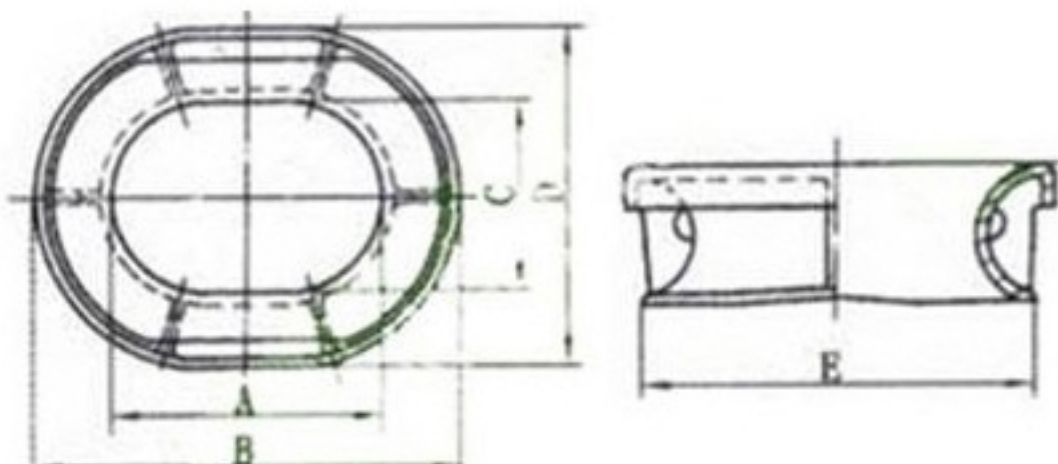


## JIS F 2007-1976 A type Bulwark mounted mooring chock



1. Strict quality control.
2. Certificate: BV, CCS, DNV, ABS, mill certificate
3. Material: cast steel ZG200-400, ZG230-450.
4. Paint: Grey Epoxy Primer or Black Bitumen Paint, also can do comply with your requirement for the thickness.
5. Packing: Steel shelf.

### Drawing:



**Size chart:**

JIS F 2007-1976 A type Bulwark mounted mooring chock

Product No.	Size(mm)					Weight (KG)
	A	B	C	D	E	
BMA-001	150	300	110	260	129	15.1
BMA-002	200	368	150	318	143	20.5
BMA-003	250	430	200	380	155	26.9
BMA-004	300	500	250	450	169	42.7
BMA-005	350	560	250	460	179	50.8
BMA-006	400	632	250	482	195	76.3
BMA-007	450	700	250	500	209	102
BMA-008	500	760	250	510	219	115