

JIS F 2030-1978 A type Single Point Mooring Pipe

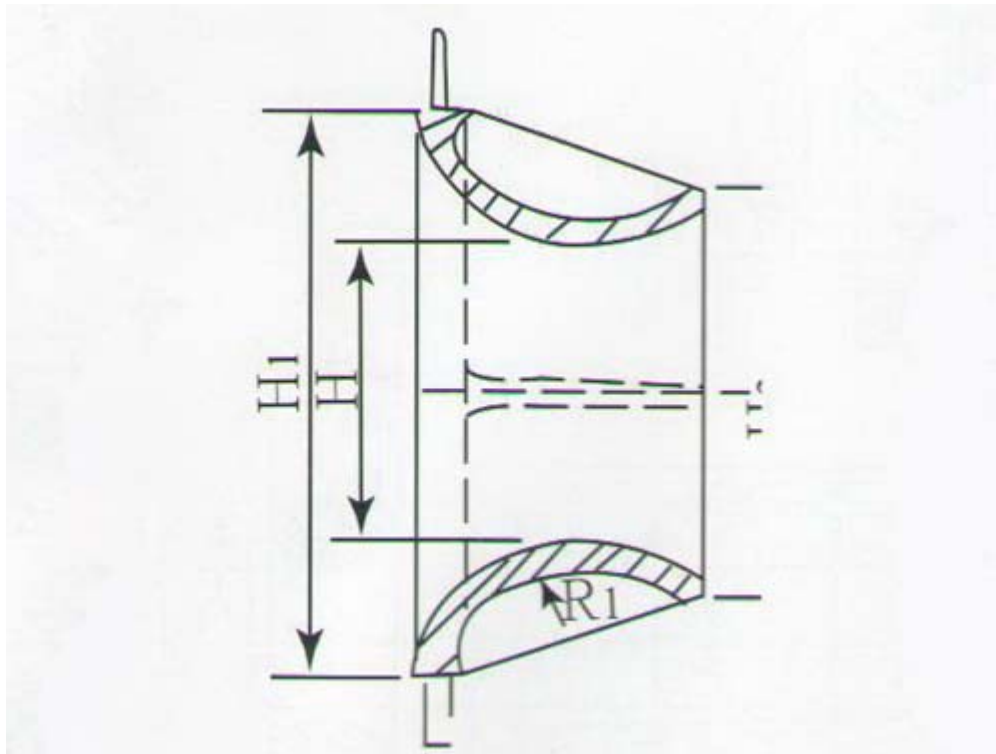


Mooring chock and other deck fittings are used by military and industrial ships, operating effectively throughout the world. We designs and manufactures panama chocks in a wide variety of sizes and styles.

Feature:

1. Strict quality control.
2. Can issue BV, CCS, ABS, DNV, mill certificate.
3. Material: ZG200-400, ZG230-450.
4. Paint: Grey Epoxy Primer or Black Bitumen Paint, also can do comply with your requirement for the thickness.
5. Packing: Steel Pallet
6. surface in contact with the rope in use been finished smoothly.

Drawing:



Size chart:

JIS F 2030-1978 A type Single Point Mooring Pipe

Product No.	Nominal size	Size(mm)						Weight (KG)
		L	L1	H	H1	B	C	
SMA-001	400	400	780	300	680	350	65	400
SMA-002	500	500	940	400	840	400	70	500
SMA-003	600	600	1100	450	950	450	75	600
SMA-004	700	700	1260	500	1060	500	80	700
SMA-005	800	800	1420	600	1220	550	85	800