

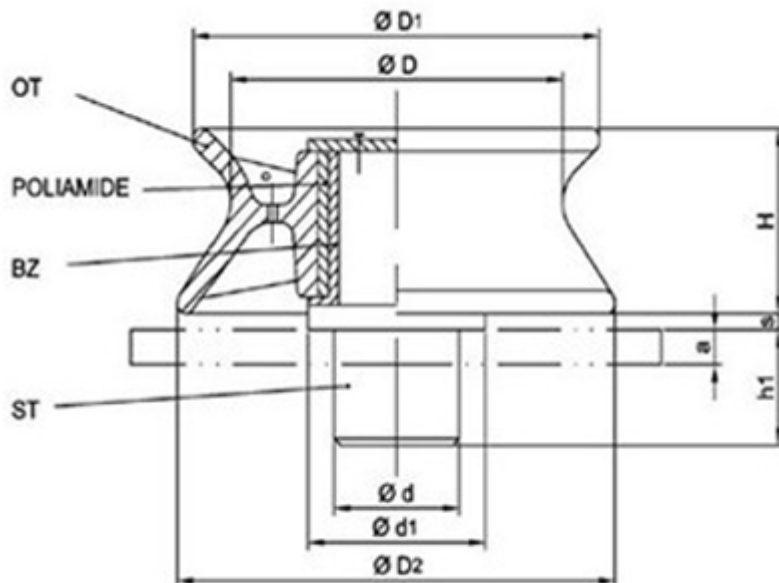
DIN 81906-1999 Fairlead roller



Warping roller(also known as fairlead roller) is used for rope or cable leading..It is made from cast iron or cast steel material,increased the durability,good wear and corrosion resistance to ensure a long service time.

- 1.Certificate: ABS, LR, BV, GL, DNV, CCS,mill certificate etc.
- 2.Finish: Epoxy finishing
- 3.Can be designed according to customers requirements.

Drawing:



Size chart:

DIN 81906-1999 Fairlead roller											
Product No.	D	D1	D2	d	d1	H	h1	s	a	Fa	Weight
	(mm)	(mm)	(mm)	(mm)	(mm)	(mm)	(mm)	(mm)	(mm)	(KN)	(KG)
D8R-001	160	195	210	60	85	80	50	2	12	10	14
D8R-002	200	245	265	70	102	102	50	3	12	20	20
D8R-003	250	300	330	85	126	126	50	3	15	32	33
D8R-004	320	390	420	106	160	160	50	3	15	50	72
D8R-005	400	490	530	125	208	208	60	3	18	80	140
D8R-006	450	560	610	160	256	256	85	3	18	125	240
D8R-007	500	620	640	190	278	278	100	5	20	200	320
D8R-008	560	740	780	230	348	348	150	5	20	320	580