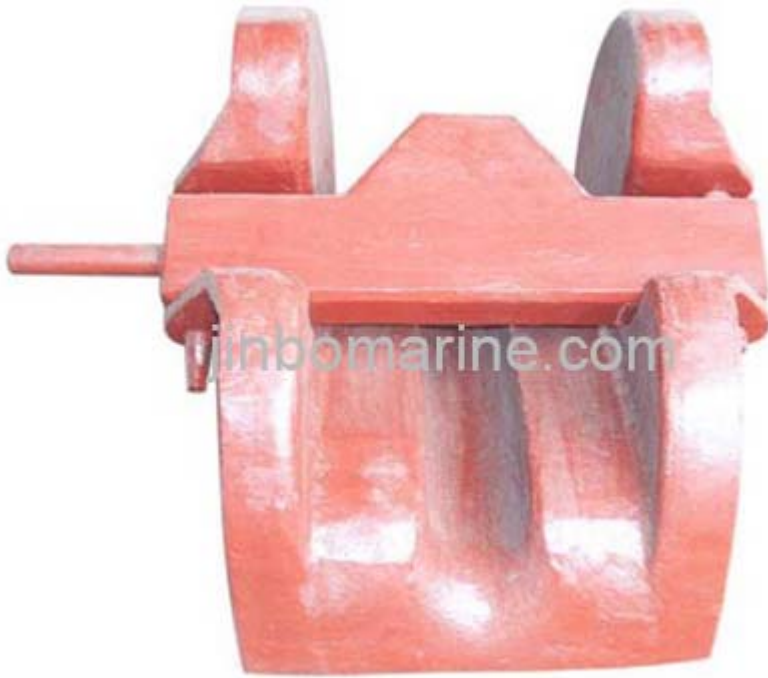


JIS F2023-1976 Cast Steel Bar Type Chain Stopper



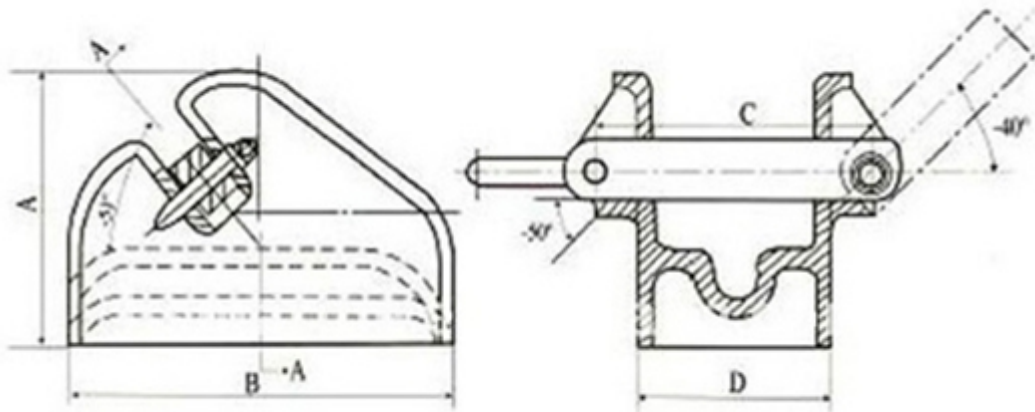
The chain stopper structure is simple. Good wear and corrosion resistance guarantee the chain stopper is durable and long service life

Can be produced as per customer drawings

Process: Casting and Machining.

Certificate: CCS, BV, ABS, DNV etc.

Drawing:



Size chart:

JIS F2023-1976 Cast Steel Bar Type Chain Stopper						
Diameter of Apply Anchor Chain (mm)	17~19	20~22	23~25	26~28	30~32	34~36
A(mm)	190	216	241	270	305	342
B(mm)	270	310	345	385	435	490
C(mm)	200	226	256	280	320	254
D(mm)	134	153	175	193	220	246
Weight(kg)	17	24	33	44	68	92