

Korean warping roller



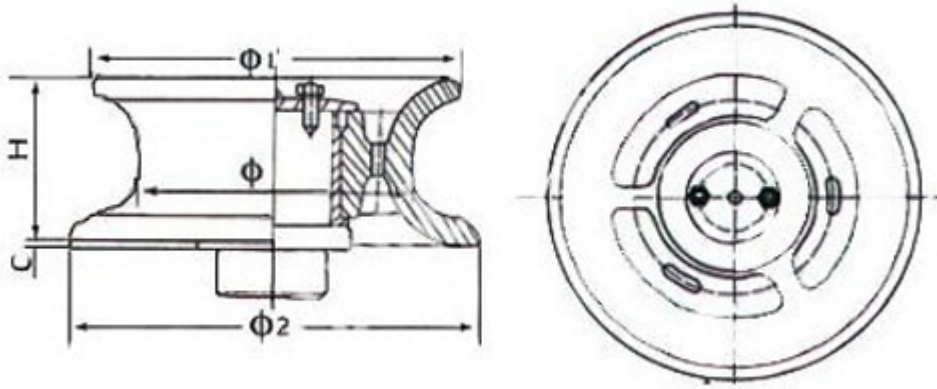
It is used for bollard cable leading of ships, good wear and corrosion resistance to grant a long service time.

Paint: Grey Epoxy Primer, for the middle paint and surface according to your requirement.

Delivery time: 7-15 days after order be confirmed.

Machining facilities : CNC center, CNC lathes, ultrasonic wave cleaning etc

Drawing:



Size chart:

KOREAN WARPING ROLLER						
Product No.	NOMINAL DIA.(mm)	Φ(mm)	Φ1(mm)	Φ2(mm)	H(mm)	c(mm)
KWR-001	150	150	216	240	137	5
KWR-002	200	200	280	310	157	5
KWR-003	250	250	350	380	177	6
KWR-004	300	300	400	440	197	7
KWR-005	350	350	460	500	217	7
KWR-006	400	400	520	560	237	7
KWR-007	450	450	590	630	257	7
KWR-008	500	500	660	700	277	7