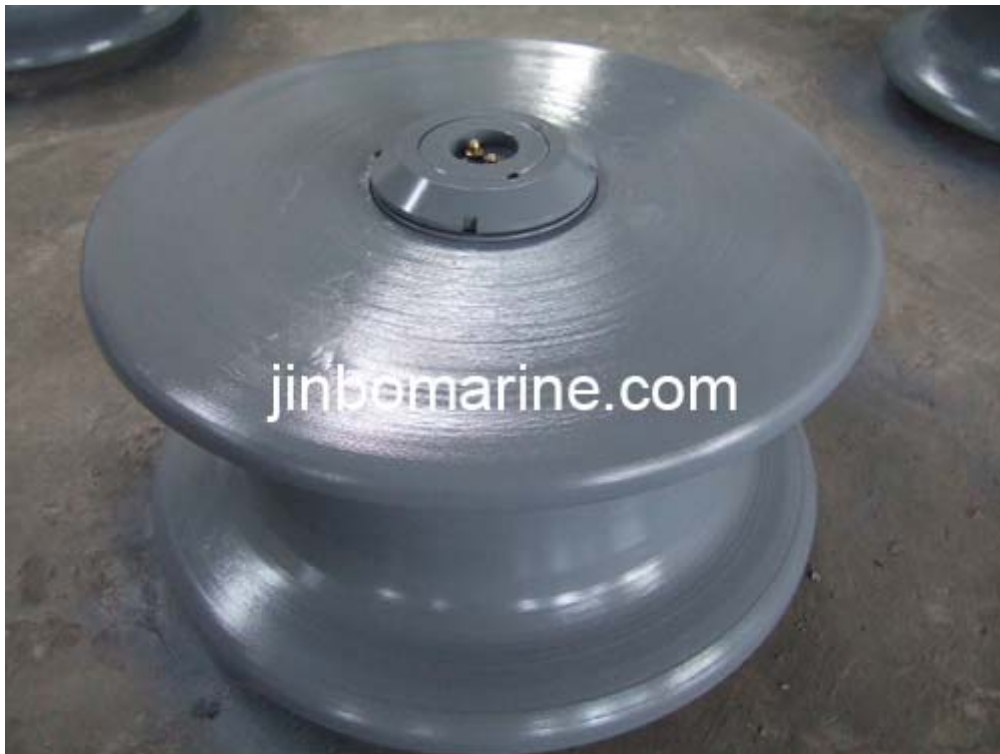


NS2585 Type Marine warping roller



Fairlead roller is immediately ready for any vessel installation. Cast from the finest quality steel for added durability.

Compact design, precision machined smooth surface, easily removable shafts,

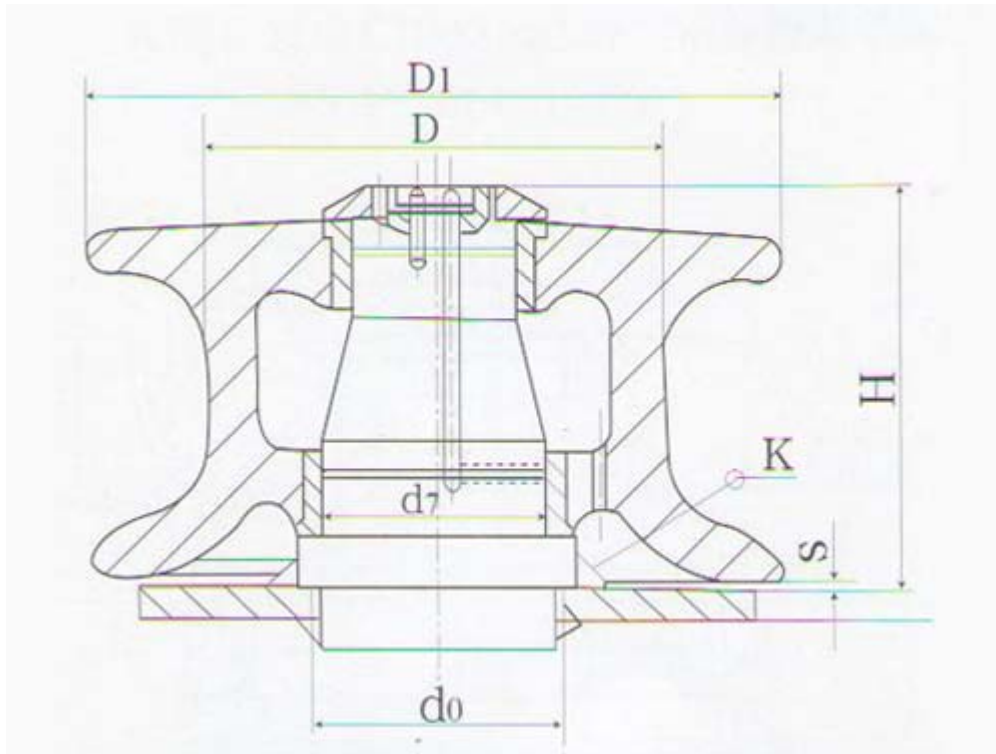
Good wear and corrosion resistance

Material: cast iron and cast steel

Certificate: ABS, BV, DNV, CCS, mill certificate.

Factory machining facilities : CNC center, CNC lathes, ultrasonic wave cleaning etc

Drawing:



Size chart:

NS2585 marine roller for fairlead											
Product No.	Nominal Size(mm)	Steel rope GB1102 Breaking Load 1550Mpa		D1	d0	d7	H	s	t	K	Weight (KG)
		6*24	6*37								
N2R-001	150	17	15	240	90	79	154	5	12	9	24.8
N2R-002	200	22.5	19.5	310	115	99	186	5	14	10	49.3
N2R-003	250	24	24	380	135	119	230	6	14	10	92
N2R-004	300	30	28	440	155	129	255	7	16	12	127
N2R-005	350	37.5	34.5	500	175	149	271	7	18	13	168
N2R-006	400	41	39	560	185	159	307	7	20	14	252.5
N2R-007	450	44.5	43	630	210	179	316	7	20	14	310