

## 360 degree swivel fairlead



### Feature:

- 1.Excellent quality.
- 2.Competitive price .
- 3.Durable, long lifetime.

Fairlead is a device to change the cable direction used for guiding ropes in ship mooring and will not breakdown.

Provide CCS , BV , LR , BV etc Certificate

Customized service is available, Advanced equipment ,Strong consciousness in controlling quality

Material:ZG230-450,Q235

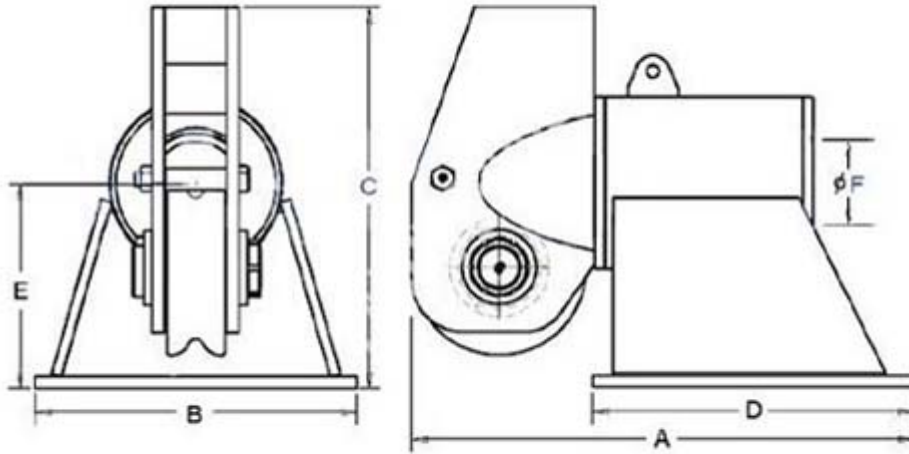
Surface: Blasting,Epoxy.

Machining facilities :CNC center, CNC lathes, ultrasonic wave cleaning,etc

Good wear and corrosion resistance

We can supply fairlead, roller according to JISF, DIN and GB standards. We can also make these products according to buyer's drawings.

**Drawing:**



**Size chart:**

360 degree swivel fairlead									
Wire Rope Dia.		Sheave Dia.(mm)	Dimension(mm)						Mass Weight
mm	inch		A	B	C	D	E	F	kg
19	3/4"	210	627	406	511	405	279	114	122
25	1	254	756	489	625	491	343	143	225
32	1-1/4"	305	816	508	714	470	434	160	304
38	1-1/2"	406	1018	641	921	533	545	216	658
44	1-3/4"	508	1201	724	1156	614	597	241	953
50	2	610	1343	762	1138	756	648	305	1202
57	2-1/4"	632	1515	1022	1543	769	800	330	2177
64	2-1/2"	762	1670	1016	1784	769	921	368	2722
76	3	1118	2739	1330	2642	1228	876	673	7484