

Manual release disc type towing hook



Quick Release Hooks can secure a vessel to a jetty and release a vessel from the jetty fast in an emergency. It can be adapted to ensure the best solution is delivered for most docking situations.

5~7 ton, 8~15 ton, 16~25 ton, 30~45 ton, 50~65 ton, 70~100 ton.

Type: Manual disc type/hand operated disc type.

Material: Including Q235-A material, 35# steel, 45 # steel, 45Cr, EH36, 65Mn, Q345. The goods can be designed according to your requirements.

Certificate: CCS certificate, BV certificate is used usually, ABS, DNV, GL, LR etc also can be provide.

Advantages:

Adopt spark-proof and insulating design for quick release hook used in hazardous zone.

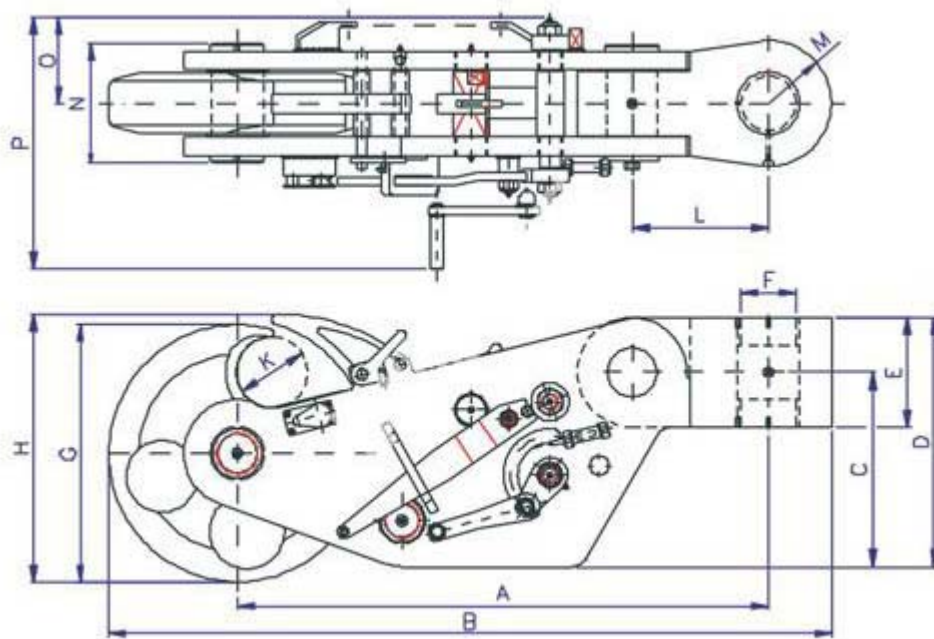
Long work life and minimum maintenance.

Towing flexible.

Applications:

Container berth, General cargo berth, Oil & Gas terminals, LNG & LPG terminals, Offshore-FPSO, Ferry terminals

Drawing:



Size chart:

Product No.	Safe working load(Kn)	Release load(Kn)	Weight(kg)	A	B	C	D	E	F	G	H	K	L	M	N	O	P
MTD-001	70	70	79	512	712	185	235	100	45	280	291	165	125	60	112	97	260
MTD-002	150	150	174	670	905	255	325	140	60	340	377	100	250	65	144	106	284
MTD-003	250	250	414	923	1238	355	445	180	80	470	491	130	200	81	186	124	427
MTD-004	450	450	534	973	1323	355	455	200	100	470	190	130	200	115	218	158	462
MTD-005	650	650	918	1173	1598	454	464	220	110	600	608	162	250	125	256	173	487
MTD-006	1000	1000	1282	1068	1750	492	632	280	135	650	668	176	290	135	288	182	530