

## Pneumatic control disc type towing hook



### **Description:**

Pneumatic control **disc type towing hook** is the most popular type quick release towing hook.

Model:5~7 ton,8~15 ton,16~25 ton,30~45 ton,50~65 ton,70~100 ton etc.

Including Q235-A material,35# steel,45 # steel,45Cr, EH36, 65Mn, Q345.The goods can be designed according to your requirements.

All moving parts are provided with grease nipples(M8)

Certificate:CCS,BV ABS ,DNV,GL,LR certificate etc can be provide.

Accessories

FRL Unit(Ball valve, Regulator, Pressure gauge and filter)

Pneumatic Box

Push button switch for installation on Pneumatic box which can put in wheelhouse.

Solenoid:24V DC 3/2Valve

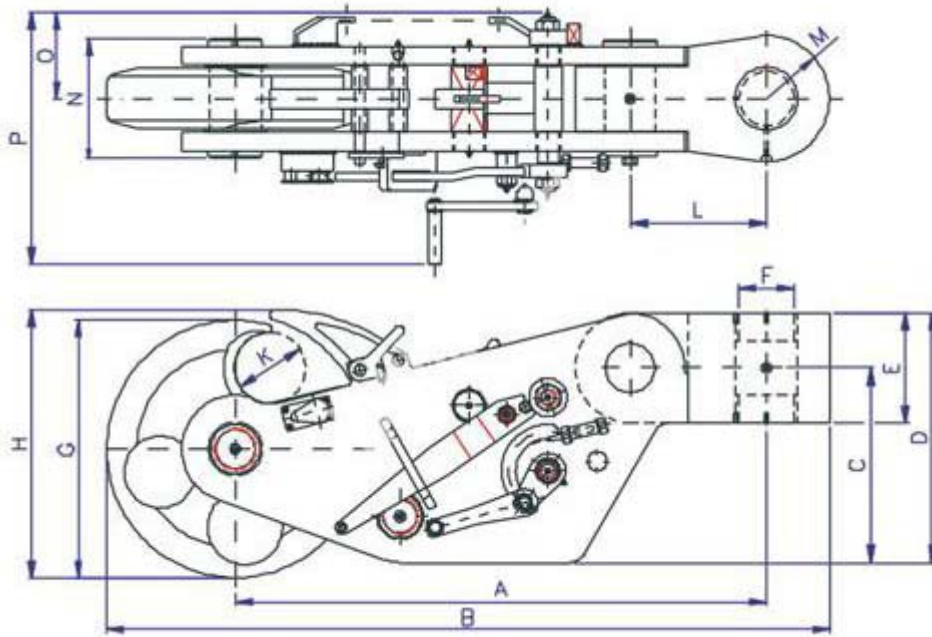
Length of Rubber Hose:20M

### **Available type:**

Manual release spring towing hook, Pneumatic control spring towing hook, Manual release disc type towing hook, Pneumatic control disc type towing hook, Manual release harbour type towing hook, Pneumatic control harbour type towing hook,

Single hook assembly, Double hook assembly, Triple hook assembly, Quadraple hook assembly, pelican hook etc.

**Drawing:**



**Size chart:**

Product No.	Safe working load(Kn)	Test load(Kn)	Release load(Kn)	Weight(kg)	A	B	C	D	E	F	G	H	K	L	M	N	O	P
PDH-001	70	140	70	79	512	712	185	235	100	45	280	291	65	125	60	112	97	260
PDH-002	150	300	150	174	670	905	255	325	140	60	340	377	100	250	65	144	106	284
PDH-003	250	500	250	414	923	1238	355	445	180	80	470	491	130	200	81	186	124	427
PDH-004	450	900	450	534	973	1323	355	455	200	100	470	190	130	200	115	218	158	462
PDH-005	650	1300	650	918	1173	1598	454	464	220	110	600	608	162	250	125	256	173	487
PDH-006	1000	1500	1000	1282	1068	1750	492	632	280	135	650	668	176	290	135	288	182	530