

Single quick release mooring hook



Popular model:40,60,75,100,125 and 150 tons.

Type:Single mooring hook

Mooring hook can be supplied as single, double, triple, quadruple and sextuple hook assembly.The hook mainly mounted onto concrete or steel deck structures.

Material:Including Q235-A ,Q345B, 40Cr,35Crmo.The goods can be designed according to your requirements.

Certificate:CCS,BV, ABS ,DNV,GL,LR etc can be provide.

Main technical of hook:

quantity of hook body for one handle: 1 hook

operating force by handle: <150N

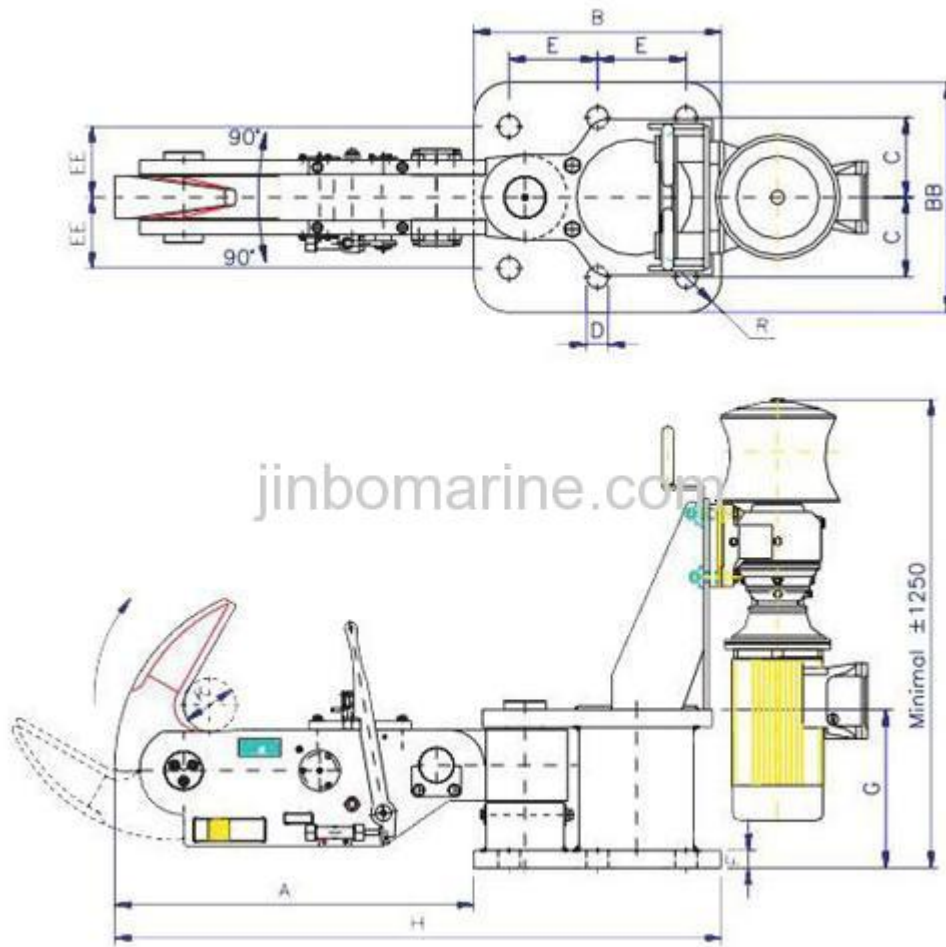
swing angle of hook body in horizontal: 45~90°

swing angle of hook body in vertical: 45°

Technical parameter:

The surface of part must be finishing,can't have burr,short mark,sharp corner,split.

Drawing:



Size chart:

Product No.	Safe working load(Kn)	Weight(kg)	A	B	BB	C	D	E	EE	F	G	H	K	R	X
SHA-001	400	304	668	600	600	225	54	225	225	35	370	1268	96	75	4*M48
SHA-002	600	512	873	650	650	235	54	235	200	45	407	1523	130	90	6*M48
SHA-003	750	587	923	650	650	225	62	225	200	45	417	1573	130	100	6*M56
SHA-004	1000	792	1014	700	650	225	62	250	200	50	447	1714	150	100	6*M56
SHA-005	1250	887	1085	700	650	225	70	250	200	55	479	1785	150	100	6*M64
SHA-006	1500	1253	1255	700	650	225	78	250	195	55	499	1955	150	100	6*M72