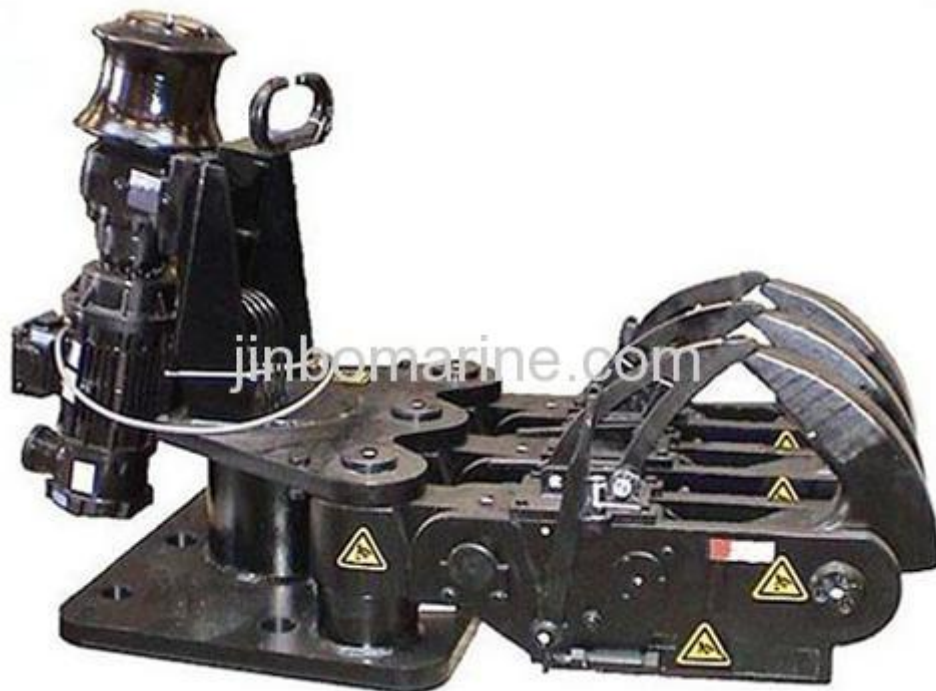


Triple quick release mooring hook



Brief description:

Surface Treatment: Zinc Galvanized

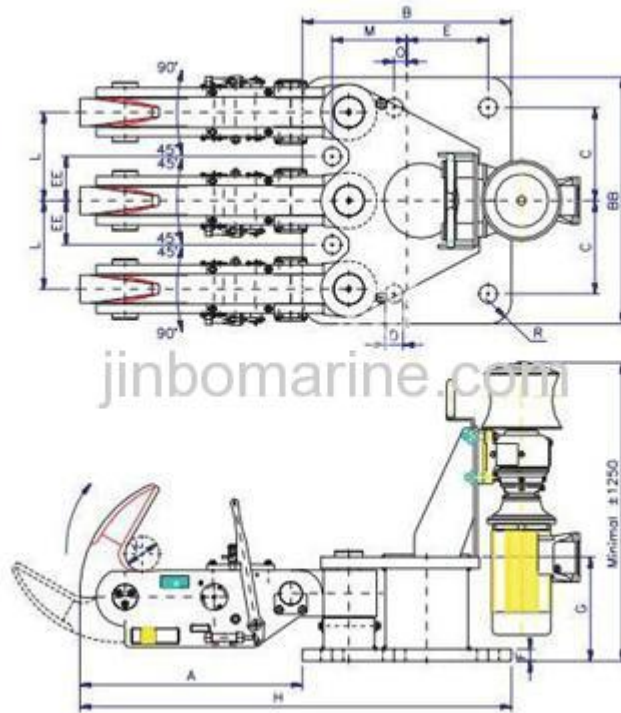
Quantity of hook body for one handle: Three hooks

Application: Maritime

Certificate: CCS, BV, GL,LR,ABS,DNV etc

Available model:40,60,75,100,125 and 150 tons.

Drawing:



Size chart:

Product No.	Safe working load(Kn)	Weight(kg)	A	B	BB	C	D	E	EE	F	G	H	K	L	M	O	R	X
THA-001	400	707	598	700	800	310	62	260	145	35	370	1296	96	290	275		90	6*M56
THA-002	600	1268	863	800	900	335	70	310	162	45	407	1663	130	325	310	65	100	6*M64
THA-003	750	1540	893	850	1000	375	78	325	175	45	417	1743	130	350	325	60	100	6*M72
THA-004	1000	2144	959	900	1060	400	78	350	190	50	447	1859	150	380	322	55	100	6*M72
THA-005	1250	2450	1030	900	1060	400	86	350	190	55	479	1930	150	380	322	55	100	7*M80
THA-006	1500	3586	1235	1020	1200	475	96	385	212	55	499	2255	150	425	385	115	125	7*M90