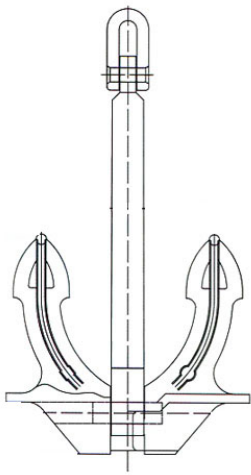


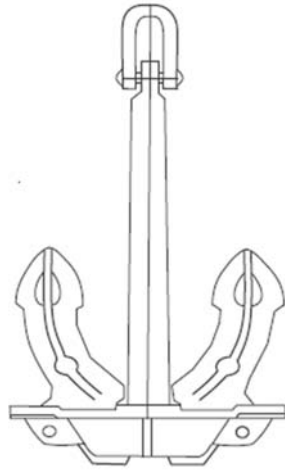
MARINE ANCHOR

Marine Anchor is traditional type anchor, widely used for bower anchor, good weight and holding ratio, weight range from 100kgs to 25000kgs, stockless anchor type is hall anchor, Japan stockless anchor, SPEK Anchor, all anchor approved by Lloyds,ABS,BV, DNVGL,RS, NK, KR, IRS and CCS Certificate. Please contact us our sales teams for inquiry.

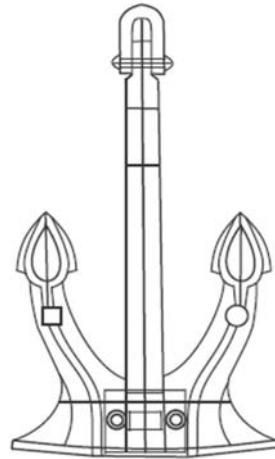
Stockless Anchor



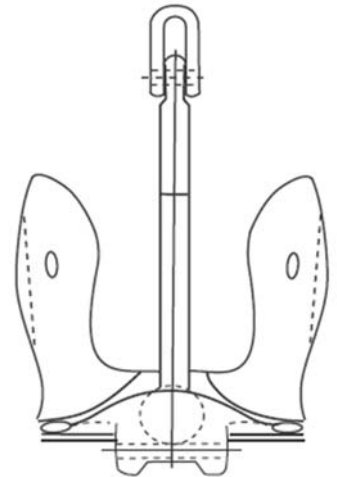
Japan Stockless



Hall

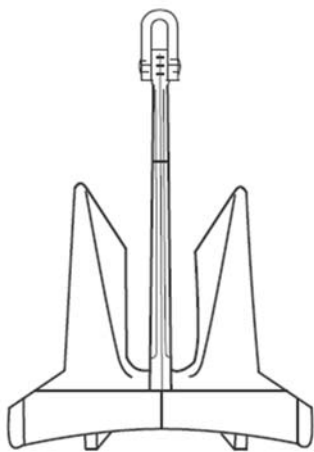


SPEK

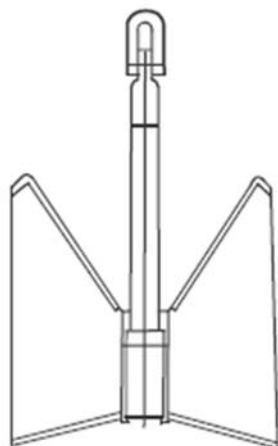


U.S. Navy

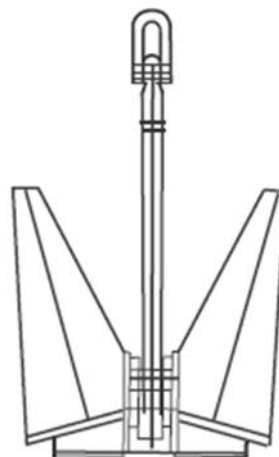
HHP Anchor



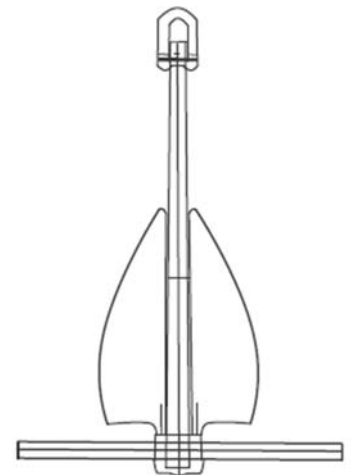
AC-14



POOL-TW



POOL-N



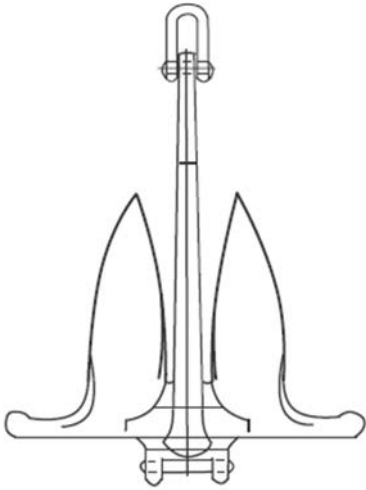
LWT

Contact

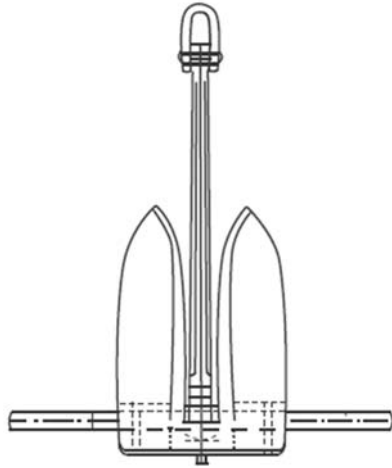
Chongqing Jinbo Marine Equipment Co., Ltd.
10B-1,53 Xiejiawan, Jiulongpo District
Chongqing, 40050, China
www.jinbomarine.com

An ISO9001-2008 Company certified by DNVGL
Safety·High Quality·Fast Delivery·Professional·Reliable Partner
Tel:86-23-68428875,68428422 Fax:86-23-68628422
Email:sales@jinbomarine.com

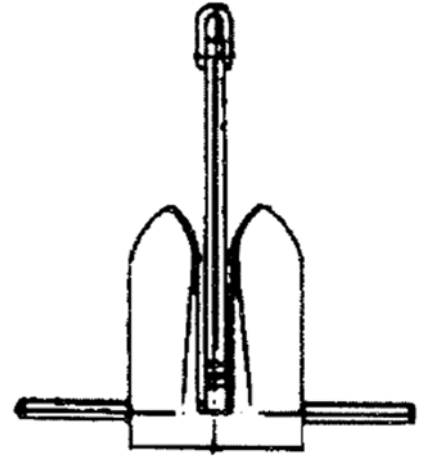
HHP Anchor



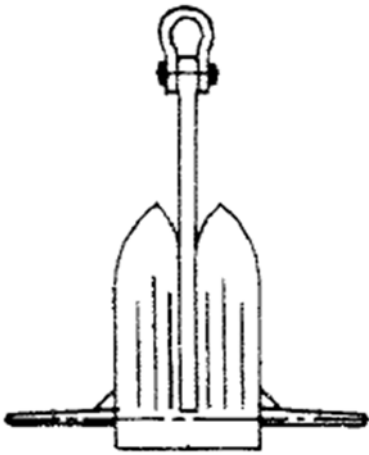
Snug Stowing



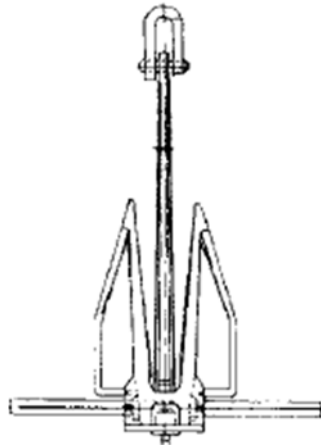
Offdrill



Moorfast

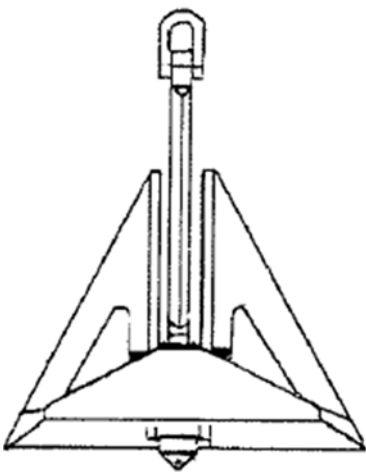


Stato

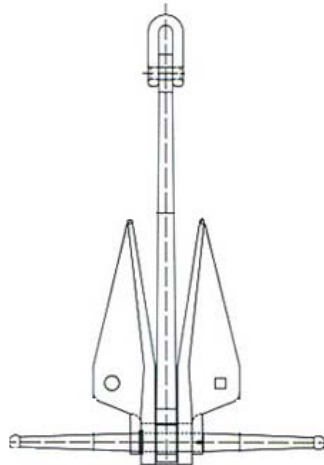


Work Boat

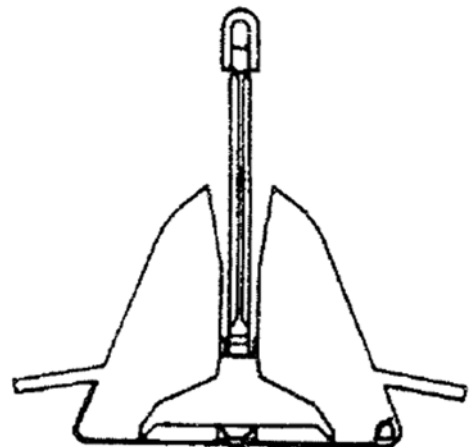
Offshore Anchor



Delta Flipper



Danforth



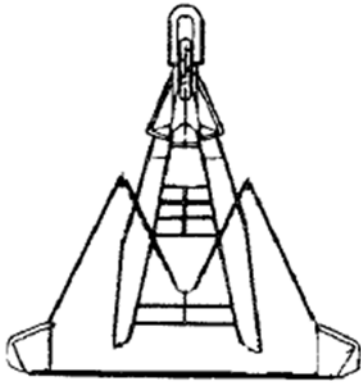
JB MK3 Anchor

Contact

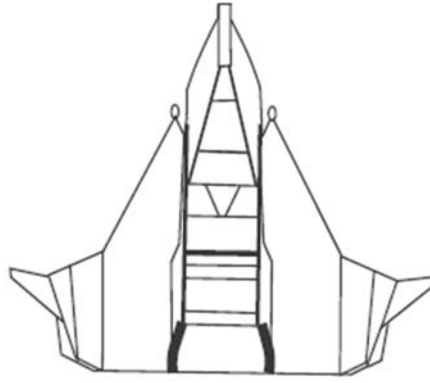
Chongqing Jinbo Marine Equipment Co., Ltd.
10B-1,53 Xiejiawan, Jiulongpo District
Chongqing, 40050, China
www.jinbomarine.com

An ISO9001-2008 Company certified by DNVGL
Safety • High Quality • Fast Delivery • Professional • Reliable Partner
Tel: 86-23-68428875, 68428422 Fax: 86-23-68628422
Email: sales@jinbomarine.com

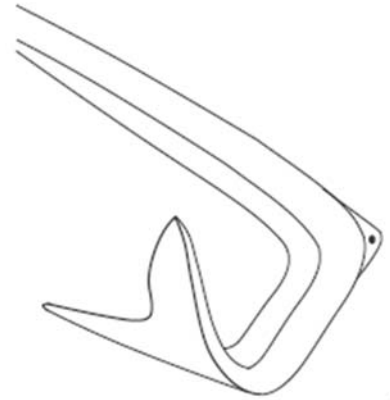
Offshore Anchor



JB MK5 Anchor



Bruce FFTS



Bruce

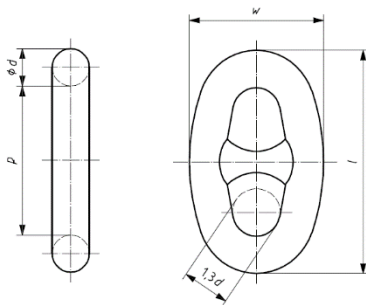
Anchor Chain

U2 Stud Link Anchor Chain, Flush-butt welded

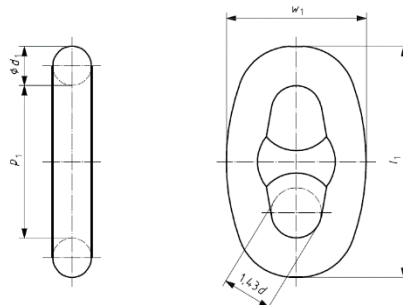
U3 Stud Link Anchor Chain, Flush-butt welded

All anchor Chain approved by Lloyds, ABS, BV, DNVGL, RS, NK, KR, IRS and CCS Certificate.

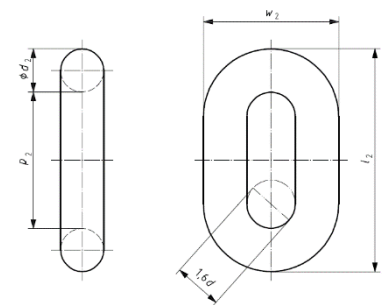
Please contact us our sales teams for inquiry.



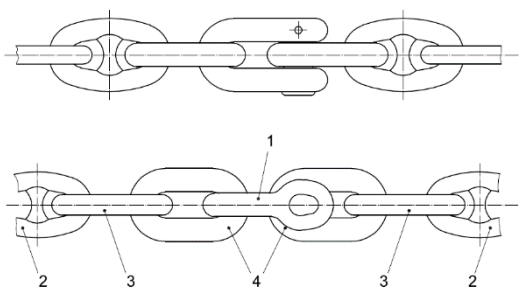
Common Link



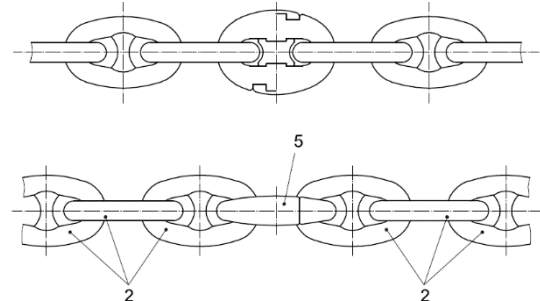
Enlarged Link



End Link



D Joining Shackle connection



Kenter Joining Shackle connection

Contact

Chongqing Jinbo Marine Equipment Co., Ltd.
10B-1,53 Xiejiawan, Jiulongpo District
Chongqing, 40050, China
www.jinbomarine.com

An ISO9001-2008 Company certified by DNVGL
Safety·High Quality·Fast Delivery·Professional·Reliable Partner
Tel:86-23-68428875,68428422 Fax:86-23-68628422
Email:sales@jinbomarine.com

Proof loads for ship chains metric units

Chain Diameter mm	Proof Load		Breaking Load		Minimum Weight Kg per length of 27,5 m
	Grade 2 kN	Grade 3 kN	Grade 2 Kn	Grade 3 kN	
16	107	150	150	216	160
17.5	127	179	179	256	190
19	150	211	211	301	225
20.5	175	244	244	349	265
22	200	280	280	401	300
24	237	332	332	476	360
26	278	389	389	556	420
28	321	449	449	642	490
30	368	514	514	735	565
32	417	583	583	833	635
34	468	655	655	937	720
36	523	732	732	1050	800
38	581	812	812	1160	895
40	640	896	896	1280	995
42	703	981	981	1400	1100
44	769	1080	1080	1540	1200
46	837	1170	1170	1680	1320
48	908	1280	1280	1810	1440
50	981	1370	1370	1960	1560
52	1060	1480	1480	2110	1675
54	1140	1590	1590	2270	1820
56	1220	1710	1710	2430	1935
58	1290	1810	1810	2600	2075
60	1380	1940	1940	2770	2220
62	1470	2060	2060	2940	2365
64	1560	2190	2190	3130	2550
66	1660	2310	2310	3300	2695
68	1750	2450	2450	3500	2890
70	1840	2580	2580	3690	3030
73	1990	2790	2790	3990	3290
76	2150	3010	3010	4300	3555
78	2260	3160	3160	4500	3755
81	2410	3380	3380	4820	4035
84	2580	3610	3610	5160	4395
87	2750	3850	3850	5500	4760
90	2920	4090	4090	5840	5005
92	3040	4260	4260	6080	5200
95	3230	4510	4510	6440	5570
97	3350	4680	4680	6690	5760
100	3530	4940	4940	7060	6130
102	3660	5120	5120	7320	6505
105	3860	5390	5390	7700	6885

Contact

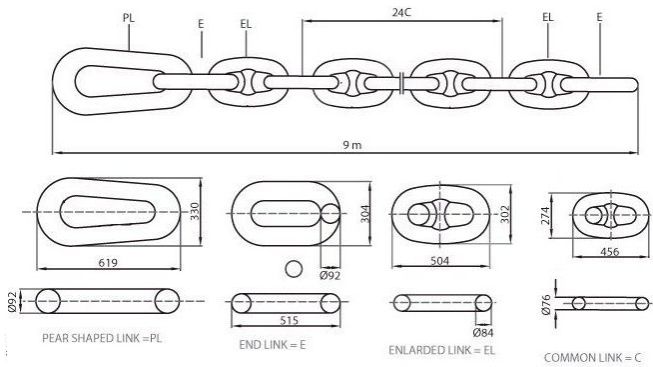
Chongqing Jinbo Marine Equipment Co., Ltd.
 10B-1,53 Xiejiawan, Jiulongpo District
 Chongqing, 40050, China
www.jinbomarine.com

An ISO9001-2008 Company certified by DNVGL
 Safety·High Quality·Fast Delivery·Professional·Reliable Partner
 Tel:86-23-68428875,68428422 Fax:86-23-68628422
 Email:sales@jinbomarine.com

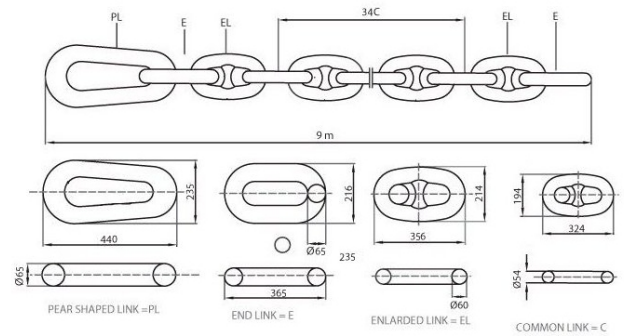
Proof loads for ship chains metric units

Chain Diameter mm	Proof Load		Breaking Load		Minimum Weight Kg per length of 27,5 m
	Grade 2 kN	Grade 3 kN	Grade 2 Kn	Grade 3 kN	
107	3980	5570	5570	7960	7140
111	4250	5940	5940	8480	7715
114	4440	6230	6230	8890	8085
117	4650	6510	6510	9300	8445
120	4860	6810	6810	9720	9110
122	5000	7000	7000	9990	9240
124	5140	7200	7200	10280	9700
127	5350	7490	7490	10710	10040
130	5570	7800	7800	11140	10420
132	5720	8000	8000	11420	10910
137	6080	8510	8510	12160	11720
142	6450	9030	9030	12910	12515
147	6840	9560	9560	13660	13295
152	7220	10100	10100	14430	14695
157	7600	10640	10640	15200	15475
162	7990	11170	11170	15970	16210

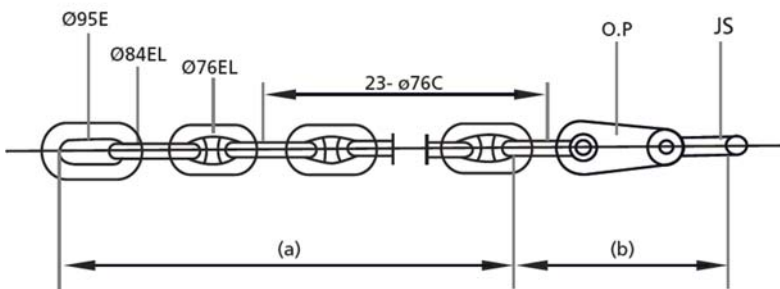
Chafe Chain



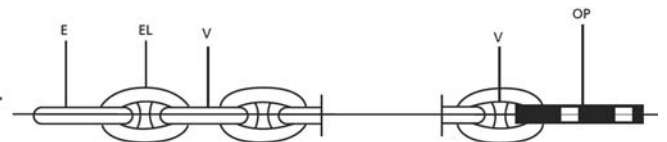
Grade3 76MM Chafe Chain



Grade3 54MM Chafe Chain



R4 OCIMF 76MM Chafe Chain



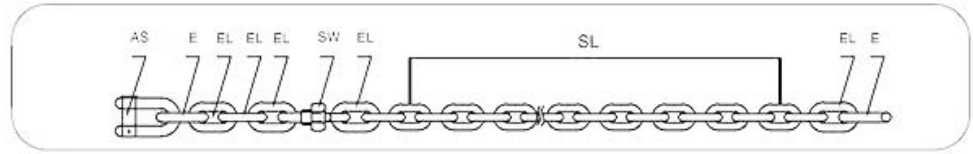
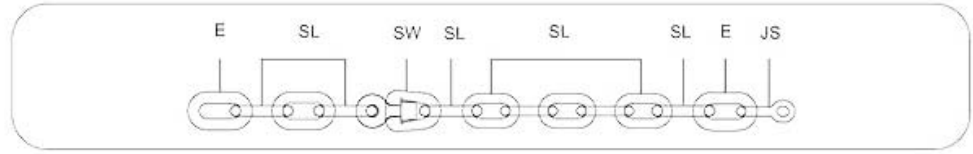
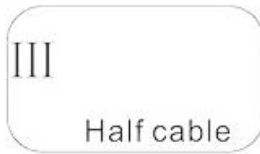
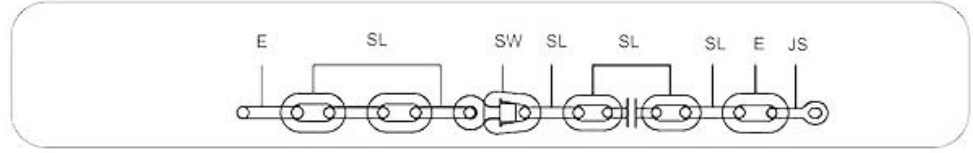
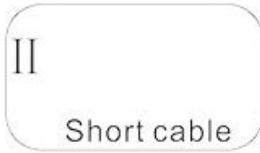
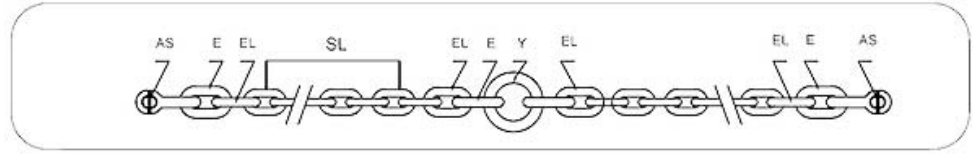
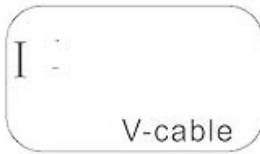
84MM Chafe Chain

Contact

Chongqing Jinbo Marine Equipment Co., Ltd.
 10B-1,53 Xiejiawan, Jiulongpo District
 Chongqing, 40050,China
 www.jinbomarine.com

An ISO9001-2008 Company certified by DNVGL
 Safety·High Quality·Fast Delivery·Professional·Reliable Partner
 Tel:86-23-68428875,68428422 Fax:86-23-68628422
 Email:sales@jinbomarine.com

Buoy Anchor Chain



Buoy Anchor Chain

Contact

Chongqing Jinbo Marine Equipment Co., Ltd.
10B-1,53 Xiejiawan, Jiulongpo District
Chongqing, 40050, China
www.jinbomarine.com

An ISO9001-2008 Company certified by DNVGL
Safety·High Quality·Fast Delivery·Professional·Reliable Partner
Tel:86-23-68428875,68428422 Fax:86-23-68628422
Email:sales@jinbomarine.com