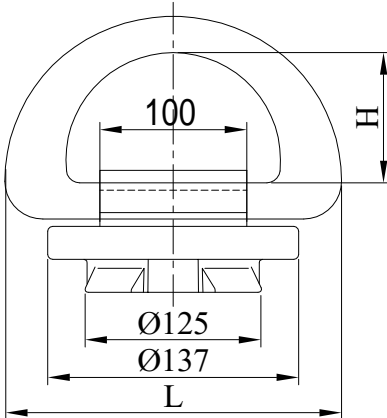
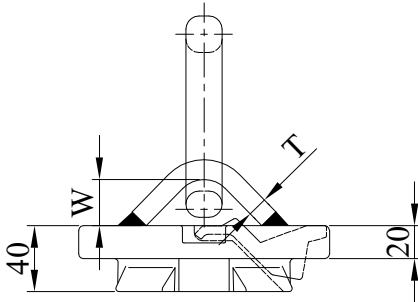


TURNFOOT D-RING



Type	L	H	W	T	Weight
AL-J1/36T	202	78	28	12	6.4Kg
AL-J1/50T	220	92	38	16	8.3Kg

LOADS	SHEAR [KN]	TENSION [KN]
BREAKING LOAD	-	360
SAFE WORKING LOAD	-	180